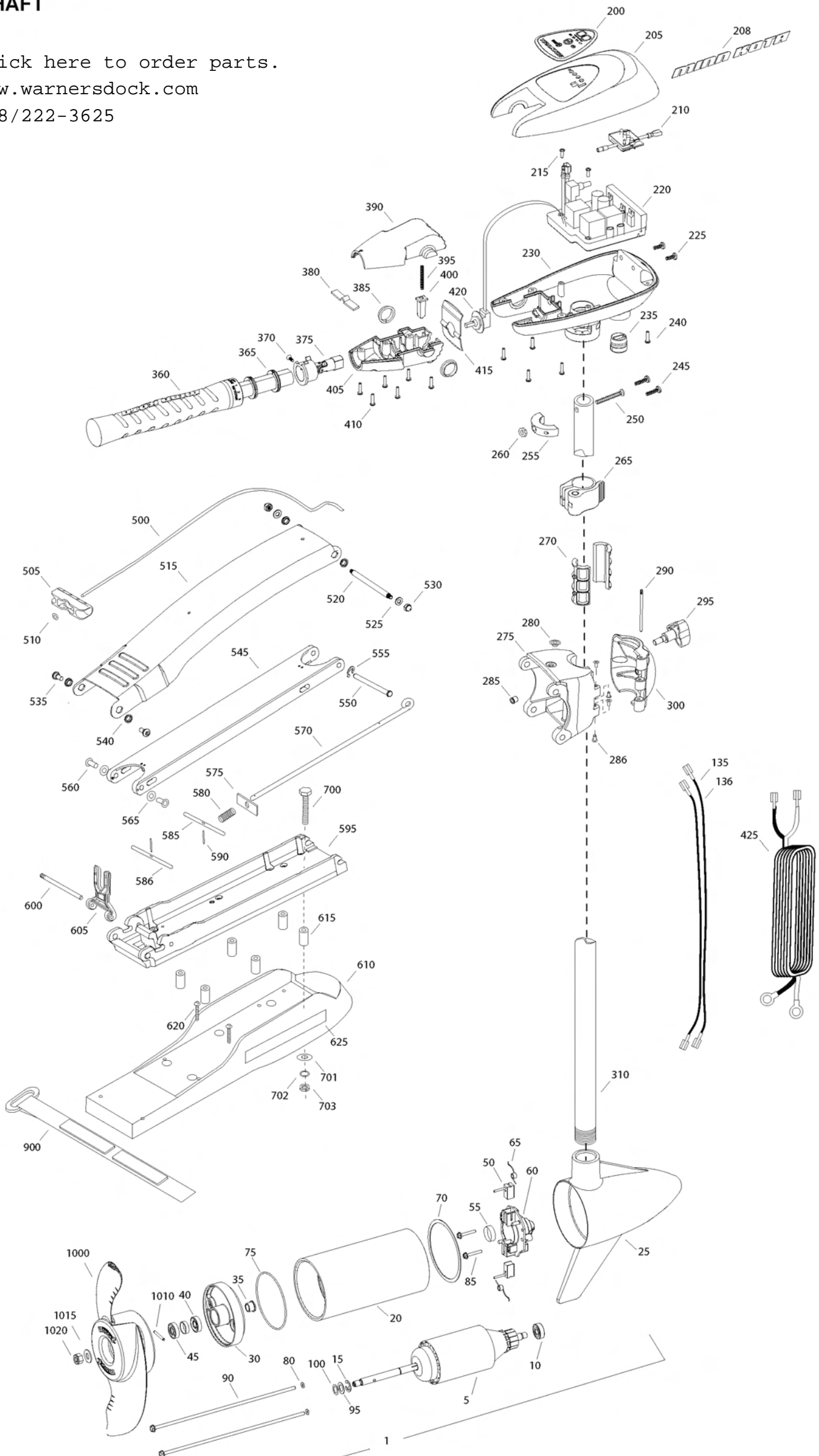


**RIPTIDE MOTORS  
RT55SM / LATCH & DOOR  
55 LBS THRUST  
12 VOLT 50 AMPS  
52" SHAFT**

for use with "K" serial numbers  
2-year warranty from the date of purchase

Click here to order parts.  
[www.warnersdock.com](http://www.warnersdock.com)  
888/222-3625



| Item | P/N       | Description                     | Qty | Item | P/N     | Description                      | Qty     | Item | P/N     | Description              | Qty |
|------|-----------|---------------------------------|-----|------|---------|----------------------------------|---------|------|---------|--------------------------|-----|
| 1    | 2097095   | 12V Motor 52" SW                | 1   | ■    | 2990957 | Handle assy, VARS [360-410]      | 1       |      |         |                          |     |
| 5    | 2-100-117 | Armature assembly               | 1   | 360  | 2990456 | Grip/handle assy, VARS [360-375] | 1       | ■    | 1378131 | Propeller kit WW2        |     |
| 10   | 140-010   | Bearing                         | 1   | 365  | 2060015 | Bearing, handle                  | 2       | ■    | 2994875 | Propeller bag assy       |     |
| 15   | 788-015   | Retaining ring                  | 1   | 370  | 2063405 | Screw, #6 PFH SS                 | 1       | 1000 | 2091160 | Propeller WW2            | 1   |
| 20   | 2-200-301 | Center housing assembly         | 1   | 375  | 2884092 | Yoke / spider assy, VARS         | 1       | 1010 | 2092600 | Drive pin, small         | 1   |
| 25   | 421-336   | Brush end housing assembly      | 1   | 380  | 2302742 | Spring, detent, off              | 1       | 1015 | 2151726 | Washer, prop, small      | 1   |
| 30   | 2-400-337 | Plain end housing assembly      | 1   | 385  | 2060005 | Bearing, handle pivot            | 2       | 1020 | 2198400 | Nut, nylock, prop, Anode | 1   |
| 35   | 144-049   | Flange bearing                  | 1   | 390  | 2060900 | Handle pivot, top                | 1       |      |         |                          |     |
| 40   | 880-003   | Seal                            | 1   | 395  | 2302745 | Spring, release button           | 1       |      |         |                          |     |
| 45   | 880-006   | Seal with shield                | 1   | 400  | 2063700 | Button, release                  | 1       |      |         |                          |     |
| 50   | 188-036   | Brush                           | 2   | 405  | 2060905 | Handle pivot, bottom             | 1       |      |         |                          |     |
| 55   | 725-050   | Paper tube                      | 1   | 410  | 2303412 | Screw, #6 x 5/8 SS               | 6       |      |         |                          |     |
| 60   | 738-036   | Brush plate assembly            | 1   |      |         |                                  |         |      |         |                          |     |
| 65   | 975-040   | Brush spring                    | 2   | 415  | 2062715 | Spring, handle pivot             | 1       |      |         |                          |     |
| 70   | 337-036   | Gasket                          | 1   | 420  | 2061700 | Washer, pot holder               | 1       |      |         |                          |     |
| 75   | 701-081   | O-ring, motor                   | 1   | 425  | 2992523 | Leadwire assy                    | 1       |      |         |                          |     |
| 80   | 701-008   | O-ring, thru-bolt               | 2   |      |         |                                  |         |      |         |                          |     |
| 85   | 830-007   | Screw, 8-32                     | 2   | ■    | 2991845 | Mount, Bow Assy                  | 1       |      |         |                          |     |
| 90   | 830-042   | Thru-bolt                       | 2   |      |         | [500-625]                        |         |      |         |                          |     |
| 95   | 990-067   | Washer, steel                   | 2   | 500  | 2251601 | Rope                             | 1       |      |         |                          |     |
| 100  | 990-070   | Washer, nylatron                | 2   | 505  | 2150400 | Pull grip                        | 1       |      |         |                          |     |
| 135  | 640-008   | Leadwire, black                 | 1   | 510  | 2151700 | Washer                           | 1       |      |         |                          |     |
| 136  | 640-107   | Leadwire, red                   | 1   | 515  | 2264244 | Arm, upper, std, sw              | 1       |      |         |                          |     |
| ■    | 2888460   | Seal and O-ring Kit             |     | 520  | 2262604 | Pin, bowguard, upper             | 1       |      |         |                          |     |
|      |           |                                 |     | 525  | 2261722 | Washer, 5/16", ss                | 2       |      |         |                          |     |
| 200  | 2195654   | Decal, c-box cover              | 1   | 530  | 2223100 | Nut, 5/16-18 SS                  | 2       |      |         |                          |     |
| 205  | 2060296   | C-box cover                     | 1   | 535  | 2263500 | Bolt, shoulder                   | 2       |      |         |                          |     |
| 208  | 2325666   | Decal - MinnKota                | 2   | 540  | 2293501 | Bushing, SS                      | 2       |      |         |                          |     |
| 210  | 2074080   | Battery meter, 12v SW           | 1   | 545  | 2994351 | Arm, Lower, std, sw              | 1       |      |         |                          |     |
| 215  | 3043427   | Screw, #8 x 7/8 SS              | 2   | 550  | 2262622 | Pin, clevis ss                   | 1       |      |         |                          |     |
| 220  | 2184006   | Control board, 12v              | 1   | 555  | 2263011 | E-clip, ss                       | 1       |      |         |                          |     |
| 225  | 2303434   | Screw, #8-30 x 5/8 SS           | 2   | 560  | 2267318 | Bushing, nyloner                 | 2       |      |         |                          |     |
| 230  | 2062503   | Control box, VARS, SW           | 1   | 565  | 2261708 | Washer, spacer, .010 thk         | as reqd |      |         |                          |     |
| 235  | 2062905   | Strain relief                   | 1   | 570  | 2153603 | Eyeshaft, ss                     | 1       |      |         |                          |     |
| 240  | 2303412   | Screw, #6 x 5/8 SS              | 6   | 575  | 2262703 | Spring stop                      | 1       |      |         |                          |     |
| 245  | 2263434   | Screw, #8 x 1 SS                | 2   | 580  | 2152701 | Spring, lock bar, ss             | 1       |      |         |                          |     |
| 250  | 2383407   | Screw, #10-24 x 2 SS            | 1   | 585  | 2233621 | Lock bar, front, ss              | 1       |      |         |                          |     |
| 255  | 2061517   | Collar, c-box                   | 1   | 586  | 2233623 | Lock bar, back, ss               | 1       |      |         |                          |     |
| 260  | 2383124   | Nut, 10-24, nylock, SS          | 1   | 590  | 2152612 | Spring pin, ss                   | 2       |      |         |                          |     |
| 265  | 2991521   | Cam lock/depth collar assy      | 1   | 595  | 2773983 | Bowplate w/ insert, std, fw      | 1       |      |         |                          |     |
|      |           |                                 |     | 600  | 226050s | Hinge pin, ss                    | 1       |      |         |                          |     |
| ■    | 2771982   | Hinge & door assembly [270-300] | 1   | 605  | 2293811 | Yoke, Max                        | 1       |      |         |                          |     |
| 270  | 2151532   | Hinge sleeve                    | 2   | 610  | 2263917 | Motor rest, std, fw              | 1       |      |         |                          |     |
| 275  | 2991782   | Hinge base assembly             | 1   | 615  | 2261505 | Spacer, motor rest               | 6       |      |         |                          |     |
| 280  | 2232315   | Eyelet SS                       | 1   | 620  | 2263434 | Screw, #8, SS                    | 2       |      |         |                          |     |
| 286  | 2236001   | Bushing, nyloner                | 4   | 625  | 2065677 | Decal, motor rest                | 2       |      |         |                          |     |
| 285  | 2264706   | Insert, hinge base              | 1   |      |         |                                  |         |      |         |                          |     |
| 290  | 2262642   | Pin, hinge door                 | 1   | ■    | 2994830 | Bag assembly                     | 1       |      |         |                          |     |
| 295  | 2260902   | Knob, door                      | 1   | 700  | 2263431 | Screw, 1/4-20 x 3 1/2" PPH, SS   | 6       |      |         |                          |     |
| 300  | 2261859   | Hinge door                      | 1   | 701  | 2301720 | Washer, rubber mounting          | 6       |      |         |                          |     |
|      |           |                                 |     | 702  | 2261713 | Washer, 1/4 SS                   | 6       |      |         |                          |     |
| 310  | 2032034   | Tube Composite 52"              | 1   | 703  | 2263101 | Nut, 1/4-20 Nylock, SS           | 6       |      |         |                          |     |
|      |           |                                 |     | 900  | 2263804 | Strap, hold down                 | 1       |      |         |                          |     |

Click here to order parts.

[www.warnersdock.com](http://www.warnersdock.com)

888/222-3625

\* This item is part of an assembly. This item cannot be sold separately due to machining and /or assembly that is required.

# Riptide 55 is 12-volt only!

THIS IS A UNIVERSAL MULTI-VOLTAGE DIAGRAM. DOUBLE CHECK YOUR MOTORS VOLTAGE FOR PROPER CONNECTIONS

