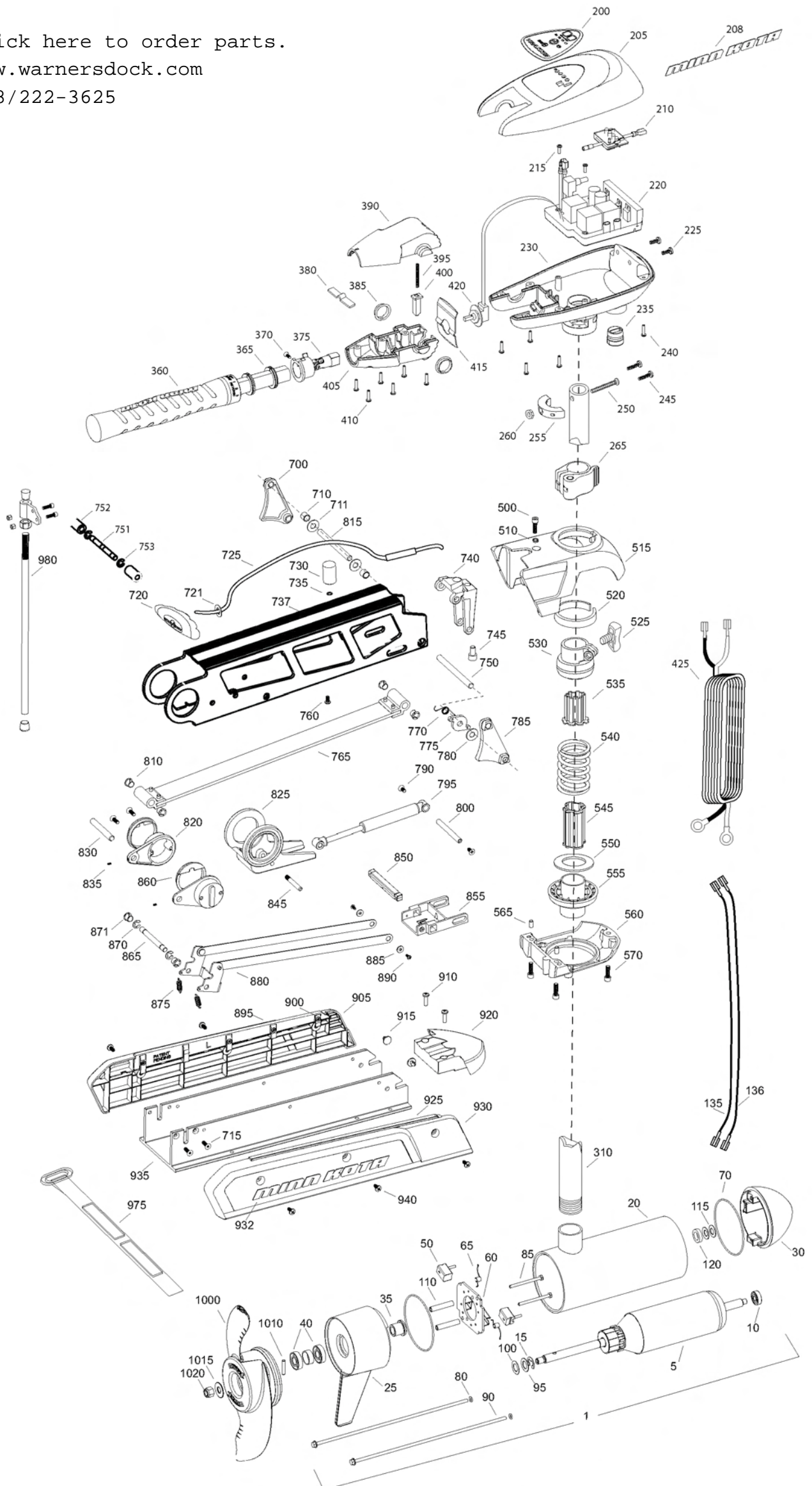


**RIPTIDE SF MOTORS**  
**RT80 and 101**  
**80 and 101 LBS THRUST**  
**24-v/56 amps and 36-v/46 amps**  
**52" and 62" SHAFT**

for use with "K" serial numbers  
2-year warranty from the date of purchase

Click here to order parts.  
[www.warnersdock.com](http://www.warnersdock.com)  
888/222-3625



Item	P/N	Description	Qty	Item	P/N	Description	Qty	Item	P/N	Description	Qty	Item	P/N	Description	Qty
<b>80# Motor</b>															
1	2316226	24V Motor 62" SW	1	200	2195659	Decal, c-box cover 80#	1	■	2991749	Mount, Fortrex, Short 52" [700-940]	1				
5	2-100-214	Armature assembly	1		2095604	Decal, c-box cover 101#	1	■	2991750	Mt, Fortrex, Long 80# 62" [700-940]	1				
10	140-010	Bearing	1	205	2060296	C-box cover	1	■	2991751	Mt, Fortrex, Long 101# 62" [700-940]	1				
15	788-040	Retaining ring	1	208	2325666	Decal - MinnKota	2	700	2280800	Link, bowguard mount, left	1	905	2283911	Sideplate, short, left, sw	1
20	2-200-397	Center housing assembly	1	210	2074081	Battery meter, 24v SW	1	710	2287303	Bushing, upper pins	2		2283916	Sideplate, long, left, sw	1
25	2-300-340	Brush end housing assembly	1		2074082	Battery meter, 36v SW	1	711	2287304	Bushing, delrin	2	910	2073408	Screw 1/4-20 x 7/8	2
30	421-376	Plain end housing assembly STD	1	215	3043427	Screw, #8 x 7/8 SS	2	715	2283400	Screw, 1/4-20 x 3/4 FHSC	4	915	2286700	Plug, spacer	2
35	144-017	Flange bearing	1	220	2184007	Control board, 24/36v	1	720	2880400	Pull grip assembly	1	920	2283900	Ramp, motor	1
40	880-025	Seal	2	225	2303434	Screw, #8-30 x 5/8 SS	2	721	2151700	Washer	1	■	2993921	Sideplate assembly, short, right, sw	1
50	188-094	Brush	2	230	2062503	Control box, VARS, SW	1	725	2771601	Rope assembly	1		2993926	Sideplate assembly, long, right, sw	1
60	9-738-004	Brush plate assembly	1	235	2062905	Strain relief	1	730	2281516	Spacer, inner arm	1	925	2288620	Support, right sideplate	1
65	975-041	Brush spring	2	240	2303412	Screw, #6 x 5/8 SS	6	735	2281702	Washer, lock 1/4	1	930	2283921	Sideplate, short, right, sw	1
70	701-043	O-ring, motor	2	245	2263434	Screw, #8 x 1 SS	2	737	2284202	Outer arm, short, 52"	1		2283926	Sideplate, long, right, sw	1
80	701-009	O-ring, thru-bolt	2	250	2383407	Screw, #10-24 x 2 SS	1		2284212	Outer arm, long, 62"	1	932	2285501	Decal, Sideplate, sw	2
85	830-027	Screw, 10-32 x 2	2	255	2061517	Collar, c-box	1	740	2992302	Rope guide assembly	1	935	2281902	Base extrusion, short, 52"	1
90	830-094	Thru-bolt	2	260	2383124	Nut, 10-24, nylock, SS	1	745	2281530	Insert, threaded	1			Base extrusion, long, 62"	1
95	990-051	Washer, steel	2	265	2991521	Cam lock/depth collar assy	1	750	2282608	Pin, 7/16 x 5 5/32	1	940	2323405	Screw 1/4-20 x 1/2	6
100	990-052	Washer, nylatron	2	310	2032034	Tube Composite 52"	1	752	2261505	Pin, 3/8 x 3 3/4	1				
110	973-025	Spacer, brush plate	2		2032085	Tube Composite 62"	1	753	2263011	Spacer	2	975	2773806	Strap hold down	1
115	992-010	Washer, Belleville	2					760	2223418	E-ring, 3/8 shaft	2	980	2991928	Bracket stabilizer assembly	1
120	990-045	Spacer, thrust	1	■	2990957	Handle assy, VARS [360-410]	1	765	2993819	Screw, 1/4-20 x 1/2 BHCS	1	■	1378132	Propeller kit WW2	
135	640-021	Leadwire, black	1	360	2990456	Grip/handle assy, VARS [360-375]	1		2993821	Inner arm assembly, short, 52"	1	■	2994876	Propeller bag assy	
136	640-126	Leadwire, red	1	365	2060015	Bearing, handle	2	770	2042711	Inner arm assembly, long, 62"	1			Propeller WW2	1
■	2889460	Seal and O-ring Kit		370	2063405	Screw, #6 PFH SS	1	775	2283620	Spring, torsion	1	1000	2331160	Propeller WW2	1
				375	2884092	Yoke / spider assy, VARS	1	780	2281704	Latch, safety	1	1010	2262658	Drive pin, large	1
				380	2302742	Spring, detent, off	1	785	2280805	Washer 7/16 nylon	1	1015	2091701	Washer, prop, large	1
				385	2060005	Bearing, handle pivot	2	790	2283410	Link, bowguard mount, right	1	1020	2198401	Nut, nylock, prop, Anode	1
				390	2060900	Handle pivot, top	1	795	2288400	Screw 1/4-20 x 1/2 PFH	2				
				395	2302745	Spring, release button	1		2288401	Gas spring (cylinder), 80/101#, short 1	1	■	2994830	Bag assembly	1
				400	2063700	Button, release	1		2288402	Gas spring (cylinder), 80#, long mt	1				
				405	2060905	Handle pivot, bottom	1	800	2282610	Gas spring (cylinder), 101#, long mt	1				
				410	2303412	Screw, #6 x 5/8 SS	6	810	2280005	Pin, upper, shock	1				
				415	2062715	Spring, handle pivot	1	815	2282600	Bearing, nyliner 7/16"	4				
				420	2061700	Washer, pot holder	1	820	2281932	Pin, 7/16 x 4 7/8	1				
				425	2992521	Leadwire assy	1	825	2281501	Bracket, rear pivot	2				
				■	2991768	Bowguard Assembly SW [500-570]	1	830	2282606	Yoke, shock mount	1				
				500	2263422	Screw, 5/16 x 1 SHCS	1	835	2283402	Pin, 7/16 x 4 1/2	1				
				510	2281700	Washer, 5/16 highcollar lock	1	845	2282604	Screw, set, 6-32 x 1/4	2				
				515	2281943	Bowguard top	1	850	2283615	Pin, Knurled 5/16 x 2	1				
				520	2280001	Bearing, Bowguard top	1	855	2283610	Latch bar	1				
				525	2011366	Knob, ss	1	860	2287300	Bracket - latch/strap, rope pull	1				
				530	2261525	Spring sleeve, upper	1	865	2282602	Bushing, rear pivot	2				
				535	2264702	Tube insert, upper	1	870	2263011	Pin, 3/8 x 3 3/4	1				
				540	2262705	Spring, bowguard	1	871	2280007	E-ring, 3/8 shaft	2				
				545	2282000	Tube insert, lower	1	875	2282720	Bearing, nyliner	2				
				550	2281525	Spacer, lower spring	1	880	2773600	Spring, extension	2				
				555	2281520	Spring sleeve, lower	1	885	2261732	Latch strap assembly, short	1				
				560	2991726	Bowguard bottom	1	890	2373450	Latch strap assembly, Long	1				
				565	2262632	Spring pin 1/4 x 5/8, ss	2	■	2993911	Washer 8, nylon	2				
				570	2263422	Screw, 5/16 x 1, ss	3		2993916	Screw 8-18 x 3/8	2				
								895	2288625	Sideplate assembly, short, left, sw	1				
								900	2283408	Sideplate assembly, long, left, sw	1				
										Support, left sideplate	1				
										Screw 8 x 3/8	8				

Click here to order parts.  
[www.warnersdock.com](http://www.warnersdock.com)  
888/222-3625

\* This item is part of an assembly. This item cannot be sold separately due to machining and /or assembly that is required.

RT 80 is 24-volt only! RT 101 is 36-volt only!

THIS IS A UNIVERSAL MULTI-VOLTAGE DIAGRAM. DOUBLE CHECK YOUR MOTORS VOLTAGE FOR PROPER CONNECTIONS

