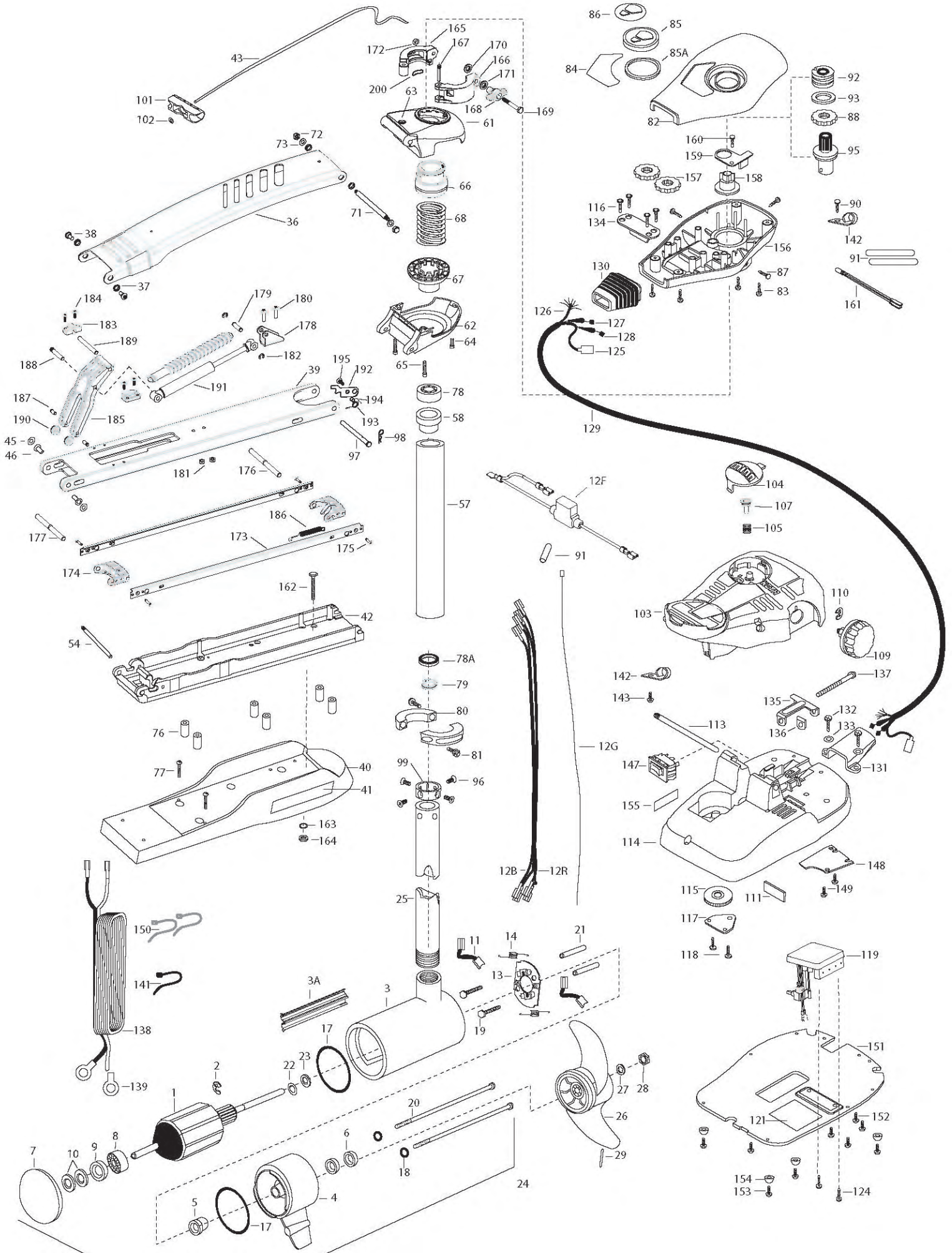


MAXXUM PRO 80
80 LBS THRUST
24 VOLT 56 AMPS
42" SHAFT

for use with "AI" serial numbers
3-year warranty from the date of purchase

Click here to order parts. www.warnersdockonline.com 888/222-3625



| | | | | | | | | |
|-----|-----------|-----------------------------------|------|---------|------------------------------------|------|---------|-----------------------------------|
| 1 | 2-100-214 | ARMATURE ASSEMBLY 24V 4" | 71 | 2262605 | PIN- THREADED ZP | 137 | 2263463 | SCREW-1/4-20 X 2 STL PPH |
| 2 | 788-040 | RETAINING RING | 72 | 2223100 | NUT- NYLOCK [2.EA] | 138 | 2261233 | LEADWIRE VARIABLE |
| 3 | 2-200-160 | HOUSING ASSEMBLY CENTER 4.0 | 73 | 2261722 | WASHER [2.EA] | 139 | 2020700 | TERMINAL RING, 3/8 [2.EA] |
| 3A | 582-013 | CLIP, RETAINING, US2 | ■ | 2994832 | BAG ASSEMBLY | 141 | 2256300 | TIE WRAP-5.5 BLACK |
| 4 | 2-300-160 | BRUSH END HOUSING ASSEMBLY | *76 | 2261505 | SPACER, MOTOR REST [6.EA] | 142 | 2263201 | CLAMP WIRE HARNESS MICRO [2.EA] |
| 5 | 144-017 | BEARING- FLANGE (SERVICE ONLY) | *77 | 2263434 | SCREW, 8-18 X 1 PPH SS [2.EA] | 143 | 2332103 | SCREW-6-20 X 3/8 THD SS |
| 6 | 880-025 | SEAL [2.EA] | 78 | 2266000 | BEARING, BALL-STEEL | 147 | 2254031 | SWITCH-MOM/OFF/COM |
| 7 | 421-276 | PLAIN END HOUSING ASSEMBLY | 78A | 2266116 | BEARING, CARTRIDGE | 148 | 2266412 | SWITCH PLATE, PT PEDAL |
| | 9421-284 | PLAIN END HOUSING ASSEMBLY, US2 | 79 | 2266001 | BEARING, SPLIT RING | 149 | 2332103 | SCREW-6-20 X 3/8 THD SS [2.EA] |
| 8 | 140-010 | BALL BEARING | 80 | 2771617 | COLLAR HALF-ZINC-2 PER- KIT | 150 | 2256301 | TIE WRAP-5.5 WHITE [2.EA] |
| 9 | 990-045 | THRUST SPACER | 81 | 2263452 | SCREW-1/4-20 X 3/4 SHCS SS [2.EA] | 151 | 2264511 | BOTTOM PLATE, MAXXUM PT |
| 10 | 992-010 | SPRING WASHER [2.EA] | 82 | 2260283 | CONTROL BOX COVER-MAXXUM | 152 | 9953104 | SCREW-8 X 1/2 PPH SS [5.EA] |
| 11 | 186-094 | BRUSH [2.EA] | 83 | 2372100 | SCREW-8-18 X 5/8 THD [4.EA] | 153 | 2263455 | SCREW #12 [4.EA] |
| 12B | 640-013 | BRUSH LEAD BLK 10 AWG 51-1/2 | 84 | 2265641 | DECAL COVER, MAXXUM 80 | 154 | 2265126 | BUMPER [4.EA] |
| 12R | 640-117 | BRUSH LEAD RED 10 AWG 53 | | 2265648 | DECAL COVER, MAXXUM 80-SONAR | 155 | 2266610 | DECAL-ON/OFF SWITCH |
| 12G | 640-315 | GROUND WIRE 42" (US MODELS ONLY) | | 2265692 | DECAL COVER, MAXXUM 80 US2 | 156 | 2262535 | CONTROL BOX-PLASTIC AT'S |
| 12F | 2218200 | FUSE HOLDER (US MODELS ONLY) | 85 | 2260150 | POINTER DISC TRNSLCNT RED | 157 | 2267800 | GEAR-INDICATOR [2.EA] |
| 13 | 738-004 | BRUSH PLATE 4" | 85A | 2261733 | WASHER-FOAM, INDICATOR | 158 | 2262220 | INDICATOR-DRIVE |
| 14 | 975-041 | SPRING- TORSION [2.EA] | 86 | 2265800 | DECAL-INDICATOR | 159 | 2261905 | BRACKET/INDICATOR |
| 17 | 701-043 | O-RING [2.EA] | 87 | 2053414 | SCREW-#8-32 X 1/2 TRI-LOBE [3.EA] | 160 | 2301310 | SCREW-8-18 X 1/2 SS |
| 18 | 701-009 | O-RING —THRU BOLT [2.EA] | 88 | 2267800 | GEAR-INDICATOR | 161 | 2264015 | LIGHT/INDICATOR |
| 19 | 830-027 | SCREW -SELF THREAD 10-32X2 [2.EA] | 90 | 2372100 | SCREW-8-18 X 5/8 SS | ■ | 2994830 | BAG ASSEMBLY-MAXXUM |
| 20 | 830-094 | THRU BOLT 12-24X10.31 [2.EA] | 91 | 2355410 | SHRINK TUBE-3/8 OD X 2- [3.EA] | *162 | 2263431 | SCREW 1/4-20 X 3.5 PPH [6.EA] |
| 21 | 973-025 | SPACER- BRUSH PLATE [2.EA] | 92 | 2232360 | PULLEY-CABLE DRUM | *163 | 2261713 | WASHER-1/4 FLAT S/S [6.EA] |
| 22 | 990-051 | WASHER- STEEL | 93 | 2261730 | WASHER-NYLON | *164 | 2263103 | NUT-1/4-20 NYLOCK-JAM [6.EA] |
| 23 | 990-052 | WASHER- NYLATRON | 95 | 2996247 | PINION/RACE ASSEMBLY | ■ | 2991555 | CLAMP COLLAR ASSEMBLY |
| 24 | 2316216 | MOTOR ASSEMBLY 24V 4" VARS | 96 | 2223468 | SCREW-8-32 X 7/16 ZN PL [4.EA] | 165 | 2071550 | CLAMP COLLAR "A" |
| | 2326220 | MOTOR ASSEMBLY 24V 4" VARS- SONAR | 97 | 2262607 | PIN- CLEVIS ZP | 166 | 2071555 | CLAMP COLLAR "B" |
| 25 | 2032003 | TUBE COMP W/4 HOLE 42" | 98 | 2260800 | SPRING CLIP SS | 167 | 2072621 | PIN-KNURLED |
| ■ | 1378132 | PROPELLER KIT | 99 | 2071560 | SPLIT COLLAR | 168 | 2281505 | KNOB-CLAMP COLLAR |
| 26 | 2331160 | PROPELLER W.WEDGE 2 | 101 | 2150400 | PULL-GRIP | 170 | 2071718 | WASHER #10 NYLON RETAINING |
| 27 | 2091701 | WASHER-PROP LARGE | 102 | 2151700 | WASHER-EYE SHAFT .562 OD | 172 | 2073102 | NUT - HEX 1/4 - 28 SS |
| 28 | 2093101 | NUT-PROP NYLOCK SS | 103 | 2994496 | FOOT PEDAL/PLUG ASSEMBLY | 173 | 2263610 | TIE RAIL SHORT [2 EA.] |
| 29 | 2262658 | PIN-DRIVE SS | 104 | 2993705 | PUSH-BUTTON MAGNET ASSEMBLY | 174 | 2262645 | LATCH PIN HOLDER [2 EA.] |
| ■ | 2991739 | MOUNT,BOW ASSEMBLY, FW STD W/BG | 105 | 2302732 | SPRING-LOWER PEDAL SS | 175 | 2263456 | SCREW #8 - 3/4" BTFH SS [4 EA.] |
| 36 | 2264250 | ARM UPPER-FW STD | 107 | 2260810 | CLIP, REED SWITCH | 176 | 2262661 | LATCH PIN, GROOVED FRONT SS |
| 37 | 2293501 | BUSHING, STAINLESS STEEL [4.EA] | 109 | 2280115 | KNOB-SPEED CONTROL VAR | 177 | 2262663 | LATCH PIN, GROOVED REAR SS |
| 38 | 2263500 | BOLT, SHOULDER MAXXUM [2.EA] | 110 | 2263000 | E-RING TRU-ARC#5133-43 | 178 | 2261990 | BRACKET, CYLINDER FRONT |
| ■ | 2774330 | LOWER ARM ASSEMBLY,STD,FW,80# | *111 | 2266413 | PLATE -TENSION SCREW FTPED. | 179 | 2262665 | PIN, FRONT SHOCK MOUNT |
| 39 | 2264330 | ARM-LOWER ASSEMBLY,STD,FW,EXT | 113 | 2260511 | PIN-PIVOT A/T PT PDL | 180 | 2332104 | SCREW 1/4-20 X 5/8" PH SS [2 EA.] |
| 40 | 2263912 | MOTOR REST STD MAXXUM | 114 | 2774550 | FT PEDAL BASE/PIN ASSEMBLY | 181 | 2073100 | 1/4-20" NUT SS [2 EA.] |
| 41 | 2265508 | DECAL-MAXXUM,MOTOR REST [2.EA] | 115 | 2262301 | PULLEY- FOOT PEDAL | 182 | 2263006 | E-CLIP 5/16" SHAFT SS [2 EA.] |
| 42 | 2773987 | BOWPLATE- FW STD MACH/INSERT | 116 | 2223430 | SCREW- 8X3/4 PPH TYPE 25 SS [4.EA] | 183 | 2261995 | BRACKET-REAR [2 EA.] |
| 43 | 2251601 | ROPE 40" MAXXUM MOUNT | 117 | 2266400 | COVER-PULLEY STAMPING | 184 | 2223454 | SCREW #10-32 X 1/2" PH SS [4 EA.] |
| 45 | 2261708 | WASHER-3/8X1/2X.016 [2.EA] | 118 | 2301310 | SCREW-8-18 X 1/2 SS [2.EA] | 185 | 2261545 | YOKE-GAS ASSIST |
| 46 | 2267318 | BEARING NYLINER- [2.EA] | 119 | 2264054 | CONTROL BOARD ASSEMBLY 24-36V MAX | 186 | 2262722 | SPRING EXTENSION |
| 54 | 2260506 | HINGE-PIN HEADLESS ZINC | 121 | 2365107 | INSULATING PAD 2.3 X 3.2 | 187 | 2262635 | PIN ROLLER SS [2 EA.] |
| ■ | 2772085 | TUBE W/BEARING RACE ASSEMBLY 42" | 124 | 2263455 | SCREW, 10-32 X 1/2 [2.EA] | 188 | 2262667 | PIN-KNURLED SS |
| 57 | 2272085 | TUBE -OUTER 21" 4 HOLES [FOR 42"] | 125 | 2211410 | EXTENSION CABLE- US2 | 189 | 2262669 | PIN-YOKE PIVOT SS |
| 58 | 2266260 | BEARING RACE-(565T) | 126 | 2261220 | WIRE HARNESS AT & MAX 82.5 | 190 | 2262320 | ROLLER YOKE [2 EA.] |
| | | | 127 | 2267505 | CABLE ASSEMBLY-RIGHT 5' | 191 | 2998432 | CYLINDER/SHOCK BOOT ASSEMBLY |
| ■ | 2991762 | BOWGUARD ASSEMBLY-FT CTRL,MAX | 128 | 2267515 | CABLE ASSEMBLY-LEFT 5' | 192 | 2262670 | LATCH PIN STOP LEVER |
| 61 | 2772319 | BRACKET BASE TOP/EYELETASSEMBLY | 129 | 2265430 | CABLE JACKET 5' | 193 | 2262723 | SPRING, MAXXUM PRO |
| 62 | 2991771 | BRKT BOTTOM/BEARING FW ASSEMBLY | 130 | 2265110 | BOOT-CONTROL BOX | 194 | 2301700 | SPACER-RELEASE LEVER BRASS |
| 63 | 2262315 | EYELET KIT -ROPE | 131 | 2265115 | BOOT-FOOT PEDAL BASE | 195 | 2332104 | SCREW 1/4-20 X 5/8" SS |
| 64 | 2263423 | SCREW 5/16-18 X 1" SHCS | 132 | 2372100 | SCREW-8-18 X 5/8 THD SS [2.EA] | 200 | 2075120 | URETHANE PAD |
| 65 | 2263425 | SCREW-5-16/18 X 2-1/2 SHCS [2.EA] | 133 | 2261714 | WASHER-MAXXUM PT PDL [2.EA] | | | |
| 66 | 2071541 | SPRING-SLEEVE UPPER | 134 | 2261901 | BRACKET-CONDUIT AT/MAX | | | |
| 67 | 2071535 | SPRING SLEEVE, LOWER | 135 | 2263210 | BRACKET-CONDUIT ADJUSTMENT | | | |
| 68 | 2262712 | SPRING, BOWGUARD, NIK PL | 136 | 2263140 | NYLOCK KEEPER | | | |

2889460 seal & oring kit

Click here to order parts. 888/222-3625

Max 80 is 24-volts only!!!

OPTIONAL BROWN WIRE FOR SONAR EQUIPPED MOTORS.
SEE BOAT WIRING DIAGRAM
FIL MARRON OPTIONNEL POUR MOTEURS
ÉQUIPÉS DE SONAR. VOYEZ LE SCHEMA DE CÂBLAGE DU BATEAU.

