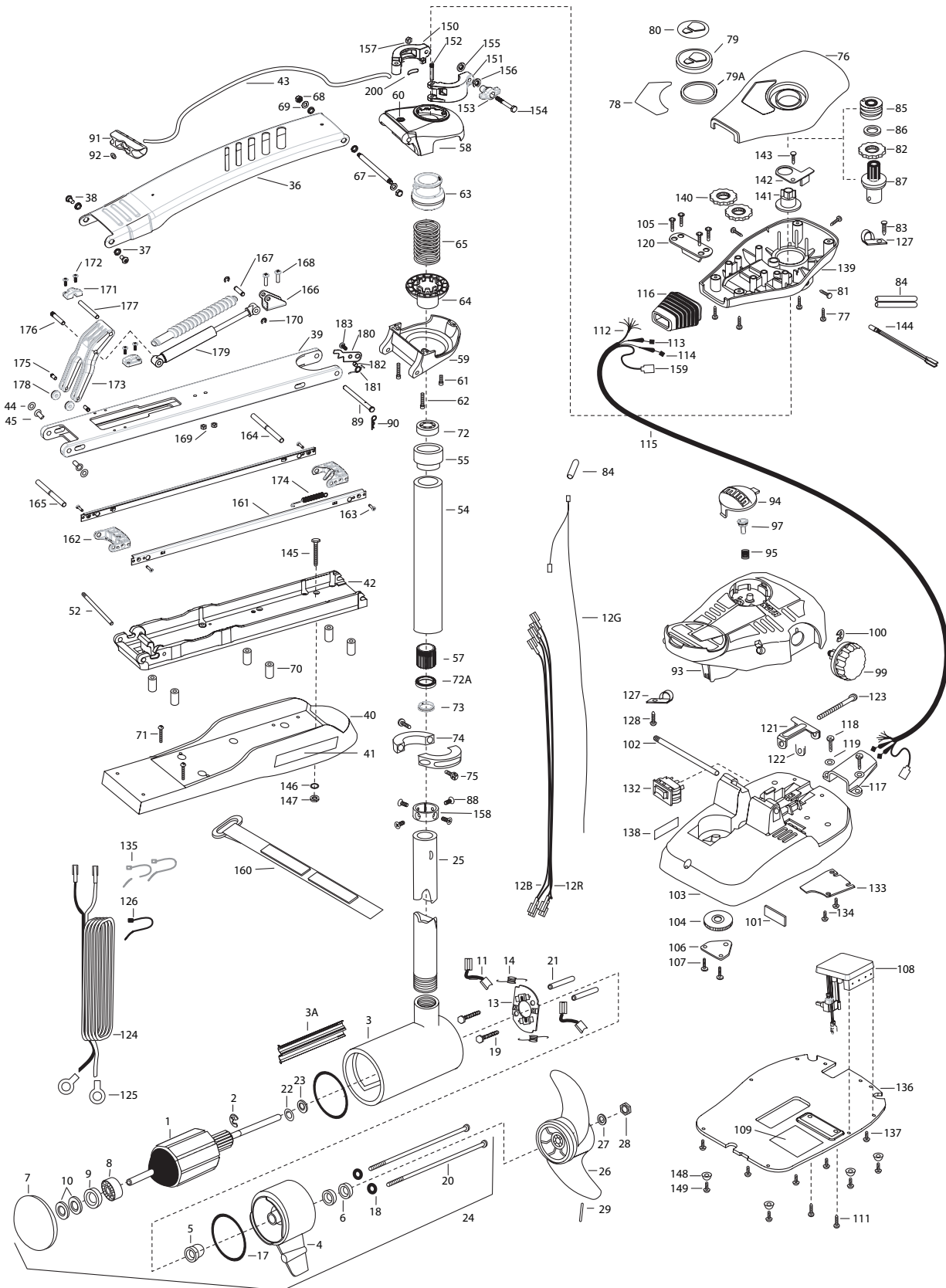


MAXXUM PRO 101
101 lbs Thrust
36 volt 46 amps
52" & 62" SHAFT

for use with "AH" serial numbers
3-year warranty from the date of purchase

Click here to order parts. www.warnersdockonline.com 888/222-3625



| | | | | | | | | |
|-----|-----------|--------------------------------------|-----|---------|------------------------------------|------|---------|-----------------------------------|
| 1 | 2-100-216 | ARMATURE ASSEMBLY 36V 4" | 60 | 2772352 | EYELET KIT -ROPE | 125 | 2020700 | TERMINAL RING, 3/8 [2.EA] |
| 2 | 788-040 | RETAINING RING | 61 | 2263423 | SCREW 5/16-18 X 1 SHCS | 126 | 2256300 | TIE WRAP-5.5 BLACK |
| 3 | 2-200-110 | CENTER HOUSING ASSEMBLY 4.0 TXT | 62 | 2263425 | SCREW 5/16-18 X 2-1/2 SHCS [2.EA] | 127 | 2263201 | CLAMP WIRE HARNESS MICRO [2.EA] |
| 3A | 582-014 | CLIP, RETAINING, US2 | 63 | 2071541 | SPRING-SLEEVE UPPER | 128 | 2332103 | SCREW-6-20 X 3/8 THD SS |
| 4 | 2-300-160 | BRUSH END HOUSING ASSEMBLY | 64 | 2071535 | SPRING SLEEVE, LOWER | 132 | 2254031 | SWITCH-MOM/OFF/CON |
| 5 | 144-017 | BEARING- FLANGE (SERVICE ONLY) | 65 | 2262712 | SPRING, BOWGUARD, FC PAINTED | 133 | 2266412 | SWITCH PLATE, PT PEDAL |
| 6 | 880-025 | SEAL [2.EA] | 67 | 2262605 | PIN- THREADED ZP | 134 | 2332103 | SCREW-6-20 X 3/8 THD SS [2.EA] |
| 7 | 421-276 | PLAIN END HOUSING ASSEMBLY | 68 | 2223100 | NUT - NYLOCK SS [2.EA] | 135 | 2256301 | TIE WRAP-5.5 WHITE [2.EA] |
| | 9421-285 | PLAIN END HOUSING ASSEMBLY US2 52" | 69 | 2261722 | WASHER [2.EA] | 136 | 2264511 | BOTTOM PLATE, MAXXUM PT |
| | 9421-286 | PLAIN END HOUSING ASSEMBLY US2 62" | ■ | 2994832 | BAG ASSEMBLY | 137 | 2372100 | SCREW-8 X 1/2 SS [5.EA] |
| 8 | 140-010 | BALL BEARING | *70 | 2261505 | SPACER, MOTOR REST [6.EA] | 138 | 2266610 | DECAL-ON/OFF SWITCH |
| 9 | 990-045 | THRUST SPACER | *71 | 2263434 | SCREW, 8-18 X 1 PPH SS [2.EA] | 139 | 2262535 | CONTROL BOX-PLASTIC |
| 10 | 992-010 | SPRING WASHER [2.EA] | 72 | 2266000 | BEARING, BALL-STEEL | 140 | 2267800 | GEAR-INDICATOR [2.EA] |
| 11 | 186-094 | BRUSH [2.EA] | 72A | 2266116 | BEARING, CARTRIDGE | 141 | 2262220 | INDICATOR-DRIVE |
| 12B | 640-024 | LEADWIRE-BLACK 10 AWG 79" | 73 | 2266001 | BEARING, SPLIT RING | 142 | 2261905 | BRACKET/INDICATOR |
| 12R | 640-131 | LEADWIRE-RED 10 AWG 80 1/2" | 74 | 2261622 | COLLAR HALF-PAINTED-2 PER- KIT | 143 | 2301310 | SCREW-8-18 X 1/2 SS |
| 12G | 640-306 | GROUND WIRE 52" | 75 | 2263453 | SCREW-1/4-20 X 3/4 SHCS SS [2.EA] | 144 | 2264015 | LIGHT/INDICATOR |
| | 640-307 | GROUND WIRE 62" | 76 | 2260283 | CONTROL BOX COVER-MAXXUM | ■ | 2994830 | BAG ASSEMBLY-MAXXUM |
| 13 | 738-040 | BRUSH PLATE 4" | 77 | 2372100 | SCREW-8-18 X 5/8 THD [4.EA] | *145 | 2263431 | SCREW 1/4-20 X 3.5 PPH [6.EA] |
| 14 | 975-041 | SPRING- TORSION [2.EA] | 78 | 2265642 | DECAL COVER, MAXXUM 101 | *146 | 2261713 | WASHER-1/4 FLAT S/S [6.EA] |
| 17 | 701-009 | O-RING —THRU BOLT [2.EA] | | 2265649 | DECAL COVER, MAXXUM 101-SONAR | *147 | 2263103 | NUT-1/4-20 NYLOCK-JAM [6.EA] |
| 18 | 701-043 | O-RING [2.EA] | | 2265693 | DECAL COVER, MAXXUM 101 US2 | *148 | 2265126 | BUMPER [4.EA] |
| 19 | 830-027 | SCREW -SELF THREAD 10-32X2 [2.EA] | 79 | 2260150 | POINTER DISC TRNSLCNT RED | 149 | 2263455 | SCREW #12 [4.EA] |
| 20 | 830-094 | THRU BOLT 12-24X10.31 [2.EA] | 79A | 2261733 | WASHER-FOAM, INDICATOR | ■ | 2991550 | CLAMP COLLAR ASSEMBLY |
| 21 | 973-025 | SPACER- BRUSH PLATE [2.EA] | 80 | 2265800 | DECAL-INDICATOR | 150 | 2071550 | CLAMP COLLAR "A" |
| 22 | 990-051 | WASHER- STEEL | 81 | 2053414 | SCREW-#8-32 X 1/2 TRI-LOBE [3.EA] | 151 | 2071555 | CLAMP COLLAR "B" |
| 23 | 990-052 | WASHER- NYLATRON | 82 | 2267800 | GEAR-INDICATOR | 152 | 2072621 | PIN-KNURLED |
| 24 | 2316285 | MOTOR ASSEMBLY 36V 4" VARS (52") | 83 | 2301310 | SCREW-8-18 X 1/2 SS | 153 | 2070120 | KNOB-CLAMP COLLAR |
| | 2316289 | MOTOR ASSEMBLY 36V VARS TXT (62") | 84 | 2355410 | SHRINK TUBE-3/8 OD X 2- [3.EA] | 154 | 2073412 | SCREW 1/4-28 X 2 3/4" SS |
| | 2326286 | MOTOR ASSEMBLY 36V 4" VARS 52" SONAR | 85 | 2232360 | PULLEY-CABLE DRUM | 155 | 2071718 | WASHER #10 NYLON RETAINING |
| | 2326287 | MOTOR ASSEMBLY 36V 4" VARS 62" SONAR | 86 | 2261730 | WASHER-NYLON | 156 | 2071716 | WASHER - FLAT SS |
| 25 | 2032007 | TUBE COMP W/4 HOLE 62" | 87 | 2996247 | PINION/RACE ASSEMBLY | 157 | 2073102 | NUT - HEX 1/4 - 28 SS |
| | 2032006 | TUBE COMP W/4 HOLE 52" | 88 | 2223468 | SCREW-8-32 X 7/16 ZN PL [4.EA] | 158 | 2071560 | SPLIT COLLAR |
| ■ | 1378132 | PROPELLER KIT | 89 | 2262607 | PIN- CLEVIS ZP | 159 | 2211410 | EXTENSION CABLE- US2 |
| 26 | 2331160 | PROPELLER W.WEDGE 2 | 90 | 2260800 | SPRING CLIP SS | 160 | 2263804 | STRAP - VELCRO 30.5" |
| 27 | 2091701 | WASHER-PROP LARGE | 91 | 2150400 | PULL-GRIP | 161 | 2263615 | TIE RAIL LONG [2 EA.] |
| 28 | 2093101 | NUT-PROP NYLOCK SS | 92 | 2151700 | WASHER-EYE SHAFT .562 OD | 162 | 2262645 | LATCH PIN HOLDER [2 EA.] |
| 29 | 2262658 | PIN-DRIVE SS | 93 | 2790002 | FOOT PEDAL/PLUG ASSEMBLY | 163 | 2263456 | SCREW #8 - 3/4" BTFH SS [4 EA.] |
| ■ | 2991742 | MOUNT,BOW ASSEMBLY, FW 62" | 94 | 2993702 | PUSH BUTTON / MAGNET ASSEMBLY | 164 | 2262661 | LATCH PIN, GROOVED FRONT SS |
| | 2991741 | MOUNT,BOW ASSEMBLY, FW 52" | 95 | 2302732 | SPRING-LOWER PEDAL SS | 165 | 2262663 | LATCH PIN, GROOVED REAR SS |
| 36 | 2264255 | ARM UPPER-FW LONG | 97 | 2260810 | CLIP, REED SWITCH | 166 | 2261990 | BRACKET, CYLINDER FRONT |
| 37 | 2293501 | BUSHING, STAINLESS STEEL [4.EA] | 99 | 2260160 | KNOB-SPEED CONTROL VAR | 167 | 2262665 | PIN, FRONT SHOCK MOUNT |
| 38 | 2263500 | BOLT, SHOULDER MAXXUM [2.EA] | 100 | 2263000 | E-RING TRU-ARC#5133-43 | 168 | 2332104 | SCREW 1/4-20 X 5/8" PH SS [2 EA.] |
| ■ | 2774335 | LOWER ARM ASSEMBLY, LONG, FW, 101# | 101 | 2266413 | PLATE -TENSION SCREW FTPED. | 169 | 2073100 | 1/4-20" NUT SS [2 EA.] |
| 39 | 2264335 | ARM-LOWER ASSEMBLY, LG, FW, EXT | 102 | 2260511 | PIN-PIVOT A/T PT PDL | 170 | 2263006 | E-CLIP 5/16" SHAFT SS [2 EA.] |
| 40 | 2263913 | MOTOR REST LONG MAXXUM | 103 | 2774550 | FT PEDAL BASE/PIN ASSEMBLY | 171 | 2261995 | BRACKET REAR [2 EA.] |
| 41 | 2265508 | DECAL-MAXXUM, MOTOR REST [2.EA] | 104 | 2262301 | PULLEY- FOOT PEDAL | 172 | 2223454 | SCREW #10-32 X 1/2" PH SS [4 EA.] |
| 42 | 2773986 | BOWPLATE- FW LG MACH/INSERT | 105 | 2223430 | SCREW #8X3/4 PPH TYPE 25 SS [4.EA] | 173 | 2261545 | YOKE-GAS ASSIST |
| 43 | 2251601 | ROPE 40" MAXXUM MOUNT | 106 | 2266400 | COVER-PULLEY STAMPING | 174 | 2262722 | SPRING EXTENSION |
| 44 | 2261708 | WASHER-3/8X1/2X.010 SS [2.EA] | 107 | 2301310 | SCREW-8-18 X 1/2 SS [2.EA] | 175 | 2262635 | PIN ROLLER SS [2 EA.] |
| 45 | 2267318 | BEARING NYLINER- [2.EA] | 108 | 2264054 | CONTROL BOARD ASSEMBLY 24V MAX | 176 | 2262667 | PIN-KNURLED SS |
| 46 | 2152610 | SPRING-PIN LOCKBAR [2.EA] | 109 | 2365107 | INSULATING PAD 2.3 X 3.2 | 177 | 2262669 | PIN-YOKE PIVOT SS |
| 47 | 2233600 | LOCK BAR- BOW MOUNT | 111 | 2263455 | SCREW, 10-32 X 1/2 [2.EA] | 178 | 2262320 | ROLLER YOKE [2 EA.] |
| 48 | 2233602 | LOCK BAR- REAR ZINC | 112 | 2261220 | WIRE HARNESS AT & MAX 82.5 | 179 | 2998431 | CYLINDER/SHOCK BOOT ASSEMBLY |
| 49 | 2152700 | SPRING-LOCKBAR CAD.PLT | 113 | 2267505 | CABLE ASSEMBLY-RIGHT 5' | 180 | 2262670 | LATCH PIN STOP LEVER |
| 50 | 2262703 | SPRING STOP | 114 | 2267515 | CABLE ASSEMBLY-LEFT 5' | 181 | 2262723 | SPRING, MAXXUM PRO |
| 51 | 2153604 | EYE SHAFT-2LOCKBAR LG-PLTD | 115 | 2265430 | CABLE JACKET 5' | 182 | 2301700 | SPACER-RELEASE LEVER BRASS |
| 52 | 2260506 | HINGE-PIN HEADLESS ZINC | 116 | 2265110 | BOOT-CONTROL BOX | 183 | 2332104 | SCREW 1/4-20 X 5/8" SS |
| ■ | 2772088 | TUBE W/BEARING RACE ASSEMBLY 28.5" | 117 | 2265115 | BOOT-FOOT PEDAL BASE | 200 | 2075120 | URETHANE PAD |
| | 2772086 | TUBE W/BEARING RACE ASSEMBLY 24" | 118 | 2372100 | SCREW-8-18 X 5/8 THD SS [2.EA] | | | |
| 54 | 2272088 | TUBE OUTER 28.5" 62" | 119 | 2261714 | WASHER-MAXXUM PT PDL [2.EA] | | | |
| | 2272086 | TUBE OUTER 24" 48"-52" | 120 | 2261901 | BRACKET-CONDUIT AT/MAX | | | |
| 55 | 2266260 | BEARING RACE-(565T) | 121 | 2263210 | BRACKET-CONDUIT ADJUSTMENT | | | |
| 57 | 2267307 | BUSHING, OUTER TUBE | 122 | 2263104 | NYLOCK KEEPER | | | |
| ■ | 2991763 | BOWGUARD ASSEMBLY MAX | 123 | 2263466 | SCREW-1/4-20 X 2 STL PPH | | | |
| 58 | 2772319 | BRACKET BASE TOP/EYELET ASSEMBLY | 124 | 2261233 | LEADWIRE VARIABLE | | | |
| 59 | 2991770 | BRKT BOTTOM/BEARING FW ASSEMBLY 62 | | | | | | |

Seal & O-Ring Kit is p/n 2889460

* This item is part of an assembly. This item cannot be sold separately due to machining and /or assembly that is required.

P/N 2274952 REV. N

11-06

Click here to order parts. www.warnersdockonline.com 888/222-3625

