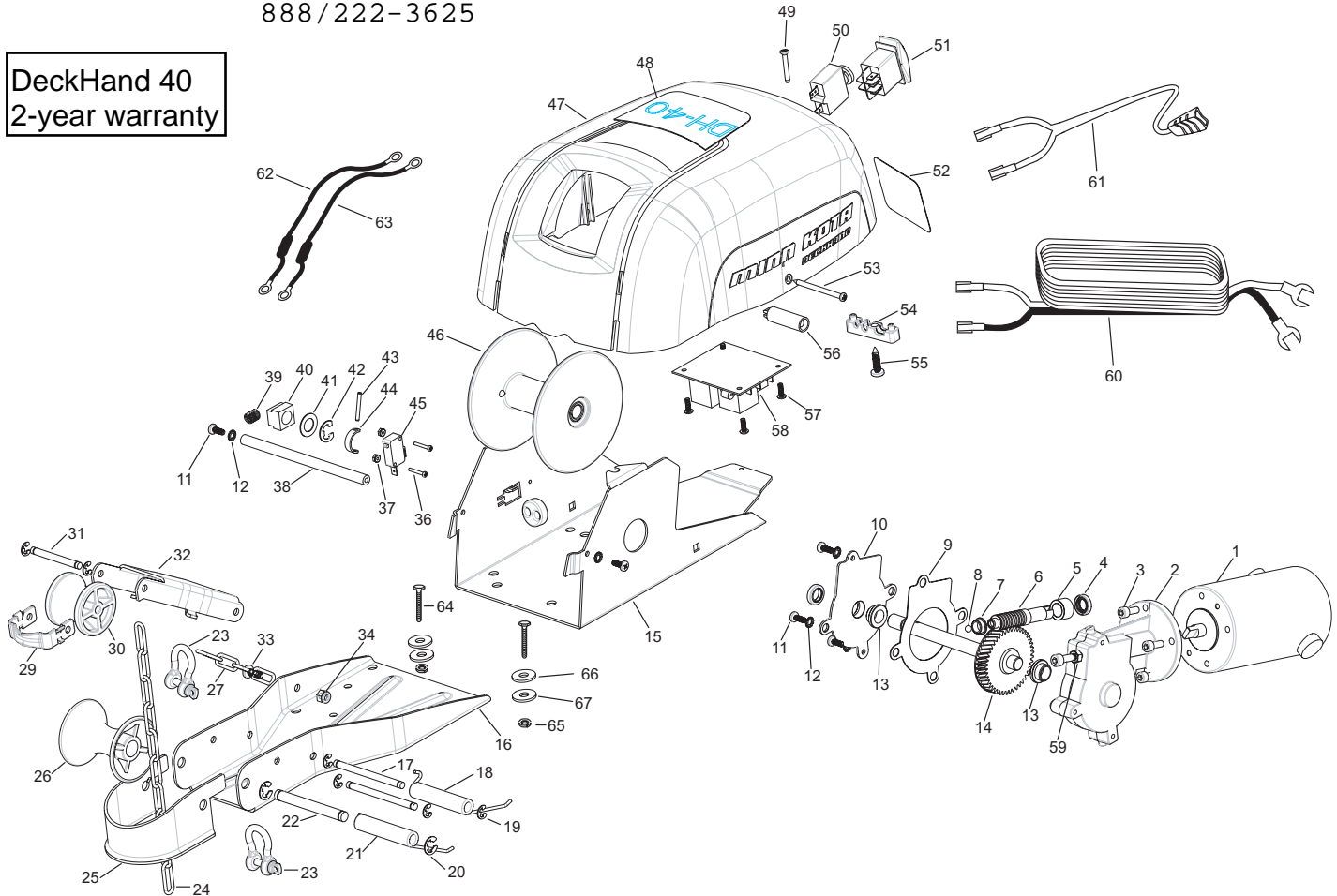


Click here to order parts. www.warnersdockonline.com

888/222-3625

DeckHand 40
2-year warranty



DeckHand 40

Item	Part	Description
------	------	-------------

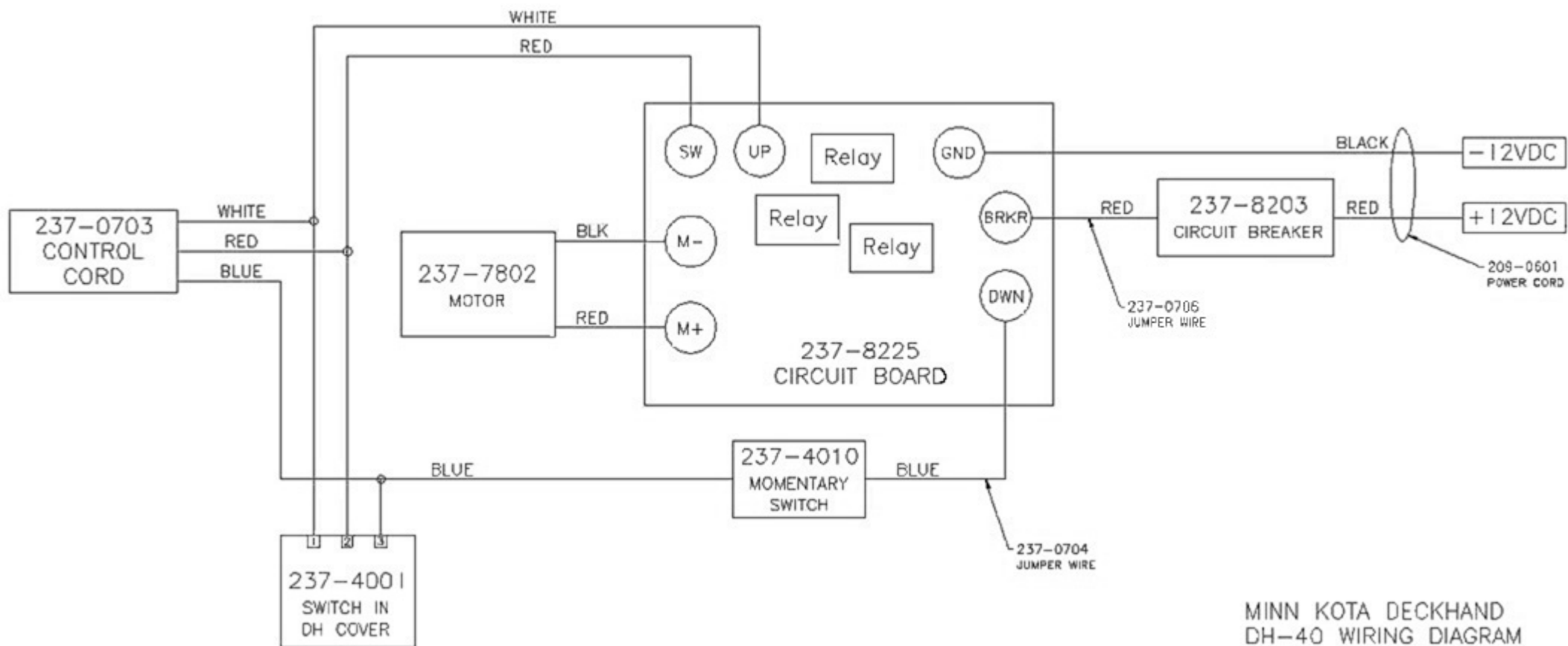
■	2997816	MOTOR/GEAR ASSEMBLY (Includes items 1-10,13,14)
1	2377802	MOTOR
2	2376502	GEAR BOX
3	2373448	SCREW M6X1.0 X16mm [5 EA.]
4	880-026	SEAL [2 EA.]
5	2370041	BRONZE BUSHING
6	2372238	WORM GEAR
7	2377300	BRONZE BUSHING 3/8" SHAFT
8	2376000	BALL-THRUST
9	2376915	GASKET
10	2376515	GEAR BOX COVER
11	2223455	SCREW #10-32 X 1/2" [6 EA.]
12	2261718	WASHER-#10 EXT. LW [6 EA.]
13	2227304	BRONZE BUSHING 1/2" SHAFT [2 EA.]
14	2372254	GEAR SHAFT
15	2371901	BASE
■	2998410	DAVIT ASSEMBLY (Includes items 16-22,25-34)
16	2376505	DAVIT CHASSIS
17	2372607	HINGE PIN [2 EA.]
18	2372712	TORSION SPRING
19	2013000	E-RING [6 EA.]
20	2263010	E-RING [2 EA.]
21	2372713	TORSION SPRING
22	2372606	AXLE PIN
23	2370806	SHACKLE [2 EA.]
24	2370820	CHAIN
25	2371613	LOWER LINE GUIDE
26	2372311	ROLLER-LARGE
27	2370801	SAFETY LANYARD
29	2371614	UPPER LINE GUIDE
30	2372306	ROLLER-SMALL
31	2372601	AXLE PIN
32	2374210	LIFTING ARM
33	2373402	SCREW-1/4-20X5/8"
34	2263103	NUT- 1/4" NYLOC
35	2373200	ROPE STOP
36	2372130	SCREW-#4-40 X 3/4" [2 EA.]
37	2373100	NUT-#4-40 KEPS [2 EA.]
38	2371612	LINE GUIDE
39	2372700	COIL SPRING
40	2370001	SPOOL BEARING
41	990-051	WASHER
42	788-040	E-RING
43	2092600	DRIVE PIN
44	2372630	PIN KEEPER
45	2374010	SWITCH
46	2377901	SPOOL W/ROPE
47	2370202	COVER
48	2375505	DECAL- TOP COVER
49	2372123	SCREW-#8-32 X 1/8"
50	2378203	CIRCUIT BREAKER
51	2374001	SWITCH
52	2375504	DECAL- MFR. NOTICE
53	2372122	SCREW-#10-16 X 2 1/2" [2 EA.]
54	2222905	STRAIN RELIEF
55	2373446	SCREW- 1/4-20 X 1" [2.EA]
56	2372920	STANDOFF [2 EA.]
57	2372100	SCREW- #8-10 X 5/8"[4 EA.]
58	2378225	CIRCUIT BOARD ASSEMBLY
59	2373105	HEX NUT M6X1.0
60	2090601	LEADWIRE

Click here to order parts.

www.warnersdockonline.com

888/222-3625

61	2370703	CONTROL CORD
62	2370704	JUMPER WIRE #20GA BLUE
63	2370706	JUMPER WIRE #10GA RED
■	2994853	BAG ASSEMBLY
64	2153501	5/16" -18 BOLT [8 EA.]
65	2153100	NUT- 5/16-18" [8 EA.]
66	2301720	WASHER RUBBER [8 EA.]
67	2151726	WASHER 5/16" [8 EA.]



MINN KOTA DECKHAND
DH-40 WIRING DIAGRAM