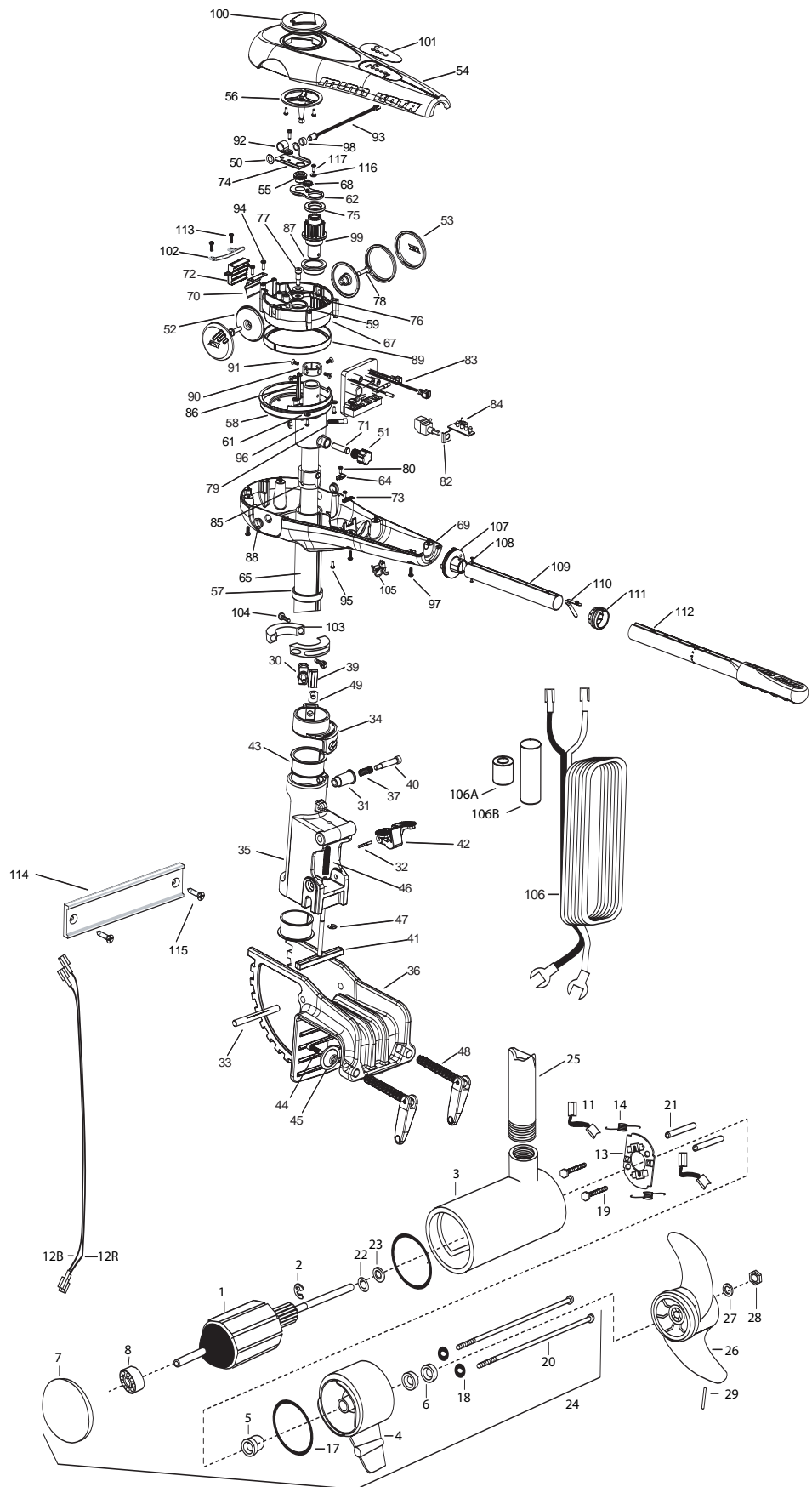


**RT80/S -3X STEERING**  
**SUPER DUTY BRACKET**  
**80 LBS THRUST**  
**24 VOLT 56 AMPS**  
**42" & 52" SHAFT**

for use with "WWAF" serial numbers  
3-year warranty from the date of purchase



1	2-100-213	ARMATURE ASSEMBLY 24V 4"	39	2072800	TENSION BLOCK	80	2073414	SCREW 6-32 PPH [2 EA.]
2	788-040	RETAINING RING	40	2073402	SCREW 5/16 X 1 1/4" SHOULDER	82	2074000	POT CLIP
3	2-200-397	CENTER HOUSING ASSEMBLY 4.0 TXT	41	2073604	T-BAR	83	2074061	CONTROL BOARD ASSEMBLY
4	2-300-340	BRUSH END HOUSING ASSEMBLY	42	2077202	TILT LEVER	84	2074081	BATTERY METER
5	144-017	BEARING- FLANGE (SERVICE ONLY)	43	2077310	BUSHING HINGE [2 EA.]	85	2075100	TENSION SLEEVE
6	880-025	SEAL [2.EA]	44	2263452	SCREW 1/4-20 SHCS [2 EA.]	86	2076701	KEY - TUBE
7	421-360	PLAIN END HOUSING ASSEMBLY	45	2331700	WASHER CLAMP [2 EA.]	87	2077305	BEARING UPPER
8	140-010	BALL BEARING	46	2332700	SPRING	88	2077316	PIVOT BUSHING [2 EA.]
11	186-094	BRUSH [2.EA]	47	2013000	E-RING	89	2077320	BEARING - GEAR CARRIER
12B	640-018	LEADWIRE-BLACK 10 AWG 62 1/2 (42")	48	2991301	CLAMP/HANDLE ASSEMBLY [2 EA.]	90	2071560	COLLAR TUBE
	640-021	LEADWIRE-BLACK 10 AWG 72 1/2 XLP (52")	49	2263101	NUT-T	91	2223468	SCREW 8-32 [4 EA.]
12R	640-123	LEADWIRE-RED 10 AWG 64 XLP (42")	50	2013100	SPEED NUT	92	2263201	CLAMP WIRE HARNESS
	640-126	LEADWIRE-RED 10 AWG 74 XLP (52")	51	2070105	KNOB-TENSION SLEEVE	93	2264015	LIGHT INDICATOR
13	738-004	BRUSH PLATE 4"	52	2070110	PIVOT KNOB [2 EA.]	94	2372100	SCREW 8-18 SS [2 EA.]
14	975-041	SPRING- TORSION [2.EA]	53	2070118	COVER-PIVOT KNOB [2 EA.]	95	2073416	SCREW 8-32 SS SHCS [2 EA.]
17	701-043	O-RING [2.EA]	54	2070206	COVER 3:1	96	2303412	SCREW 6-20 [2 EA.]
18	701-009	O-RING —THRU BOLT [2.EA]	55	2070801	COUPLER SOCKET	97	2303412	SCREW 6-20 X 5/8" [6 EA.]
19	830-027	SCREW -SELF THREAD 10-32X2 [2.EA]	56	2070810	COUPLER DRIVE	98	2071525	SPACER-INDICATOR LIGHT
20	830-094	THRU BOLT 12-24X10.31 [2.EA]	57	2071500	COLLAR-LOWER SUPPORT	99	2992205	PINION - MAIN
21	973-025	SPACER- BRUSH PLATE [2.EA]	58	2071513	YOKE-PIVOT	100	2998601	INDICATOR ASSEMBLY
22	990-051	WASHER- STEEL	59	2071710	WASHER NYLATRON [2 EA.]	101	2075618	DECAL RT 80
23	990-052	WASHER- NYLATRON	60	2071712	WASHER SS	102	2072815	BRACKET- TILT STOP
24	2316248	MOTOR ASSEMBLY 24V 4" VARS 42"	61	2071714	WASHER FLAT #6 [2 EA.]	103	2261622	HALF COLLAR [2 EA.]
	2316246	MOTOR ASSEMBLY 24V 4" VARS 52"	62	2071900	IDLER PLATE	104	2263453	SCREW 1/4-20 X1" [2 EA.]
25	2072016	TUBE- COMPOSITE 3:1 42"	64	2071905	BRACKET- SENSOR SWITCH	105	2052900	STRAIN RELIEF
	2072017	TUBE- COMPOSITE 3:1 52"	65	2072096	OUTER TUBE 3:1 42"	106	2090600	LEADWIRE
■	1378132	PROPELLER KIT		2072097	OUTER TUBE 3:1 52"	106A	2307310	BEAD - FERRITE [2 EA] (CE MODELS ONLY)
26	2331160	PROPELLER W/WEDGE 2	67	2072210	GEAR CARRIER	106B	2075401	HEAT SHRINK 1.10" OD X 3.5" (CE MODELS ONLY)
27	2091701	WASHER-5/16 SS	68	2072215	GEAR- IDLER	107	2990404	PIVOT HANDLE ASSEMBLY
28	2198401	ANODE	69	2072502	CONTROL BOX	108	2072102	SCREW #6 X 1/4" [2 EA.]
29	2262658	PIN-DRIVE	70	2072705	SPRING DETENT	109	2070425	HANDLE TUBE
■	2991827	BRACKET/HINGE ASSEMBLY	71	2072710	SPRING TENSION SLEEVE	110	2070411	LATCH-BUTTON
30	2011386	SCREW-TENSION	72	2072810	DETENT BLOCK-TILT	111	2070010	BEARING
31	2070100	KNOB ORIENTATION COLLAR	73	2072811	DETENT BLOCK-SWITCH	112	2990931A	HANDLE ASSEMBLY-EXT.
32	2070512	PIN HINGE	74	2072900	RETAINER COUPLER	113	2332101	SCREW #8-32 X1/2" SS [2 EA.]
33	2070514	PIN PIVOT	75	2073000	RING PRELOAD	■	2994844	TRANSOM STABILIZER ASSEMBLY
34	2071505	ORIENTATION COLLAR	76	2073100	HEX NUT- NYLOC [3 EA.]	114	2058415	TRANSOM EXTRUSION
35	2071873	HINGE 3:1 BRACKET	77	2073400	SCREW 5/16" X 1/2" SHOULDER	115	2053421	SCREW 1/4 -14 X 1" PPH
36	2071942	BRACKET FW BLACK	78	2073408	SCREW [2 EA.]	116	2071720	#4 WASHER SS
37	2072700	SPRING	79	2073410	SCREW	117	2373440	#4 SCREW SS
						118	2340610	CONNECTOR CABLE - 12"

