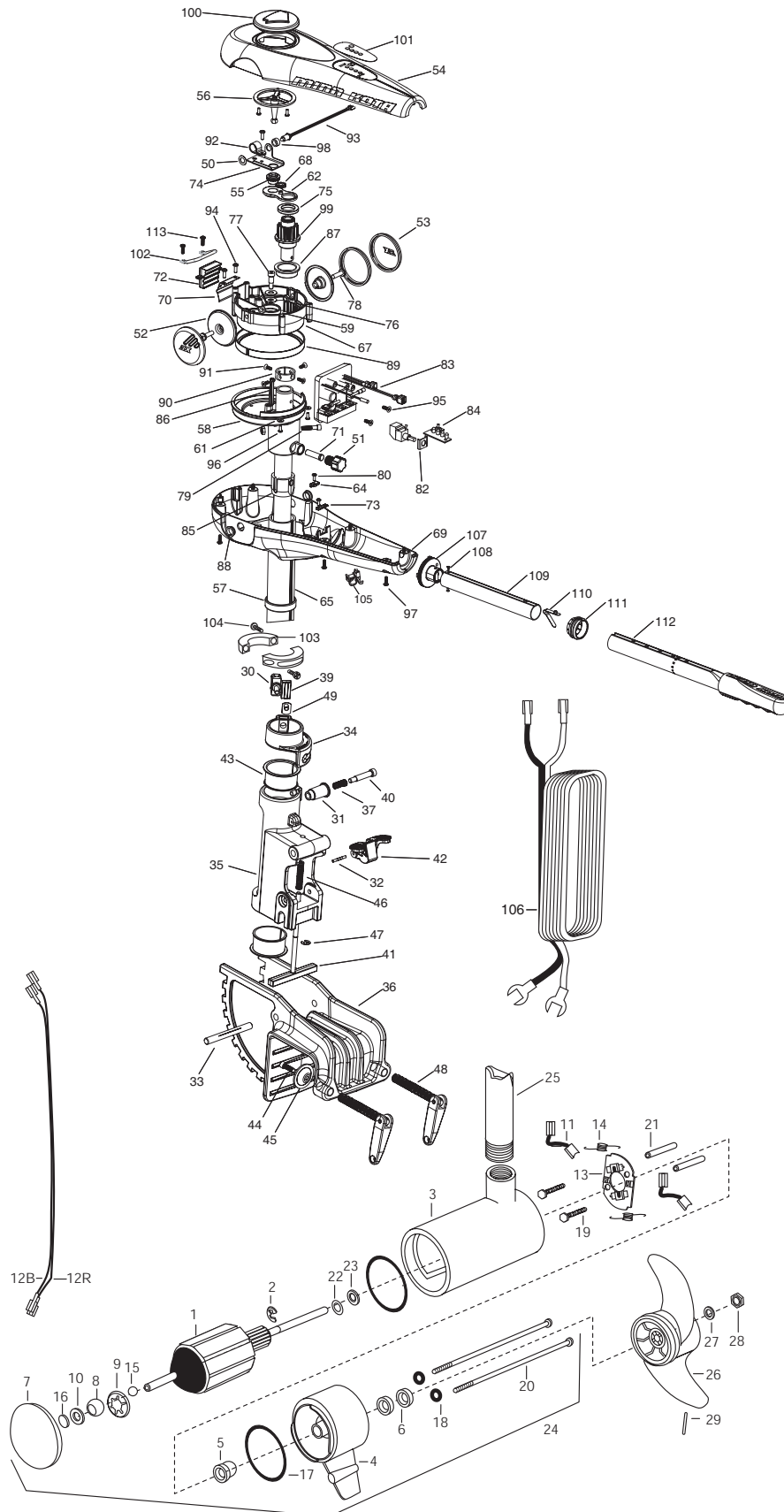


**RT74/S -3X STEERING
SUPER DUTY BRACKET
74 LBS THRUST
24 VOLT 45 AMPS
42" & 52" SHAFT**

**for use with motors with serial numbers beginning MKAE
3-year warranty from the date of purchase**

Click here to order parts. www.warnersdock.com 888/222-3625



| | | | | | | | | |
|-----|-----------|--|----|---------|-------------------------------|-----|---------|------------------------------|
| 1 | 2-100-103 | ARMATURE ASSEMBLY 24V 4" | 34 | 2071505 | ORIENTATION COLLAR | 75 | 2073000 | RING PRELOAD |
| 2 | 788-040 | RETAINING RING | 35 | 2071873 | HINGE 3:1 BRACKET | 76 | 2073100 | HEX NUT- NYLOC [3 EA.] |
| 3 | 2-200-397 | CENTER HOUSING ASSEMBLY 4.0 TXT | 36 | 2071942 | BRACKET FW BLACK | 77 | 2073400 | SCREW 5/16" X 1/2" SHOULDER |
| 4 | 2-300-340 | BRUSH END HOUSING ASSEMBLY | 37 | 2072700 | SPRING | 78 | 2073408 | SCREW [2 EA.] |
| 5 | 144-017 | BEARING- FLANGE (SERVICE ONLY) | 39 | 2072801 | TENSION BLOCK | 79 | 2073410 | SCREW |
| 6 | 880-025 | **SEAL [2.EA] | 40 | 2073402 | SCREW 5/16 X 1 1/4" SHOULDER | 80 | 2073414 | SCREW 6-32 PPH [2 EA.] |
| 7 | 2-400-341 | PLAIN END HOUSING ASSEMBLY | 41 | 2073604 | T-BAR | 82 | 2074000 | POT CLIP |
| 8 | 144-021 | BEARING SPHERICAL | 42 | 2077202 | TILT LEVER | 83 | 2074061 | CONTROL BOARD ASSEMBLY |
| 9 | 784-025 | BEARING RETAINER | 43 | 2077310 | BUSHING HINGE [2 EA.] | 84 | 2074081 | BATTERY METER |
| 10 | 991-040 | WASHER- FELT | 44 | 2263452 | SCREW 1/4-20 SHCS [2 EA.] | 85 | 2075100 | TENSION SLEEVE |
| 11 | 186-094 | BRUSH [2.EA] | 45 | 2331700 | WASHER CLAMP [2 EA.] | 86 | 2076700 | KEY - TUBE |
| 12B | 640-018 | LEADWIRE-BLACK 10 AWG 62 1/2 (42") | 46 | 2332700 | SPRING | 87 | 2077305 | BEARING UPPER |
| | 640-022 | LEADWIRE-BLACK 10 AWG 72 1/2 XLP (52") | 47 | 2013000 | E-RING | 88 | 2077316 | PIVOT BUSHING [2 EA.] |
| 12R | 640-123 | LEADWIRE-RED 10 AWG 64 XLP (42") | 48 | 2991301 | CLAMP/HANDLE ASSEMBLY [2 EA.] | 89 | 2077320 | BEARING - GEAR CARRIER |
| | 640-127 | LEADWIRE-RED 10 AWG 74 XLP (52") | 49 | 2263101 | NUT-T | 90 | 2071560 | COLLAR TUBE |
| 13 | 738-004 | BRUSH PLATE 4" | 50 | 2013100 | SPEED NUT | 91 | 2223468 | SCREW 8-32 [4 EA.] |
| 14 | 975-041 | SPRING- TORSION [2.EA] | 51 | 2070105 | KNOB-TENSION SLEEVE | 92 | 2263201 | CLAMP WIRE HARNESS |
| 15 | 116-025 | BALL- STEEL | 52 | 2070110 | PIVOT KNOB [2 EA.] | 93 | 2264015 | LIGHT INDICATOR |
| 16 | 303-043 | THRUST DISC- METAL | 53 | 2070118 | COVER-PIVOT KNOB [2 EA.] | 94 | 2372100 | SCREW 8-18 SS [2 EA.] |
| 17 | 701-043 | **O-RING [2.EA] | 54 | 2070206 | COVER 3:1 | 95 | 2332101 | SCREW 8-32 SS [2 EA.] |
| 18 | 701-009 | **O-RING -THRU BOLT[2.EA] | 55 | 2070801 | COUPLER SOCKET | 96 | 2303412 | SCREW 6-20 [5 EA.] |
| 19 | 830-027 | SCREW -SELF THREAD 10-32X2 [2.EA] | 56 | 2070810 | COUPLER DRIVE | 97 | 230341 | SCREW 6-20 X 5/8" [6 EA.] |
| 20 | 830-094 | THRU BOLT 12-24X10.31 [2.EA] | 57 | 2071500 | COLLAR-LOWER SUPPORT | 98 | 2071525 | SPACER-INDICATOR LIGHT |
| 21 | 973-025 | SPACER- BRUSH PLATE [2.EA] | 58 | 2071513 | YOKE-PIVOT | 99 | 2992205 | PINION - MAIN |
| 22 | 990-051 | WASHER- STEEL | 59 | 2071710 | WASHER NYLATRON [2 EA.] | 100 | 2998601 | INDICATOR ASSEMBLY |
| 23 | 990-052 | WASHER- NYLATRON | 60 | 2071712 | WASHER SS | 101 | 2075616 | DECAL RT 74 |
| 24 | 2317048 | MOTOR ASSEMBLY 24V 4" VARS 42" | 61 | 2071714 | WASHER FLAT #6 [2 EA.] | 102 | 2072815 | BRACKET- TILT STOP |
| | 2317049 | MOTOR ASSEMBLY 24V 4" VARS 52" | 62 | 2071900 | IDLER PLATE | 103 | 2261622 | HALF COLLAR [2 EA.] |
| 25 | 2072016 | TUBE- COMPOSITE 3:1 42" | 64 | 2071905 | BRACKET- SENSOR SWITCH | 104 | 2263453 | SCREW 1/4-20 X1" [2 EA.] |
| | 2072017 | TUBE- COMPOSITE 3:1 52" | 65 | 2072060 | OUTER TUBE 3:1 42" | 105 | 2052900 | STRAIN RELIEF |
| ■ | 1378122 | PROPELLER KIT (includes 26-28) | | 2072061 | OUTER TUBE 3:1 52" | 106 | 2090600 | LEADWIRE |
| 26 | 2331120 | PROPELLER W/WEDGE | 67 | 2072210 | GEAR CARRIER | 107 | 2990404 | PIVOT HANDLE ASSEMBLY |
| 27 | 2091701 | WASHER-5/16 SS | 68 | 2072215 | GEAR- IDLER | 108 | 2072102 | SCREW #6 X 1/4" [2 EA.] |
| 28 | 2198401 | ANODE | 69 | 2072502 | CONTROL BOX | 109 | 2070425 | HANDLE TUBE |
| 29 | 2092600 | PIN-DRIVE | 70 | 2072705 | SPRING DETENT | 110 | 2070411 | LATCH-BUTTON |
| ■ | 2991827 | BRACKET/HINGE ASSEMBLY | 71 | 2072710 | SPRING TENSION SLEEVE | 111 | 2070010 | BEARING |
| 30 | 2011386 | SCREW-TENSION | 72 | 2072810 | DETENT BLOCK-TILT | 112 | 2990931 | HANDLE ASSEMBLY-EXT. |
| 31 | 2070100 | KNOB ORIENTATION COLLAR | 73 | 2072811 | DETENT BLOCK-SWITCH | 113 | 2332101 | SCREW #8-32 X1/2" SS [2 EA.] |
| 32 | 2070512 | PIN HINGE | 74 | 2072900 | RETAINER COUPLER | | | |
| 33 | 2070514 | PIN PIVOT | | | | | | |

**Seal & Oring Kit P/N 2889460 * This item is part of an assembly. This item cannot be sold separately due to machining and /or assembly that is required.

P/N 2074922

REV.A 7-03

Click here to order parts. www.warnersdock.com 888/222-3625

