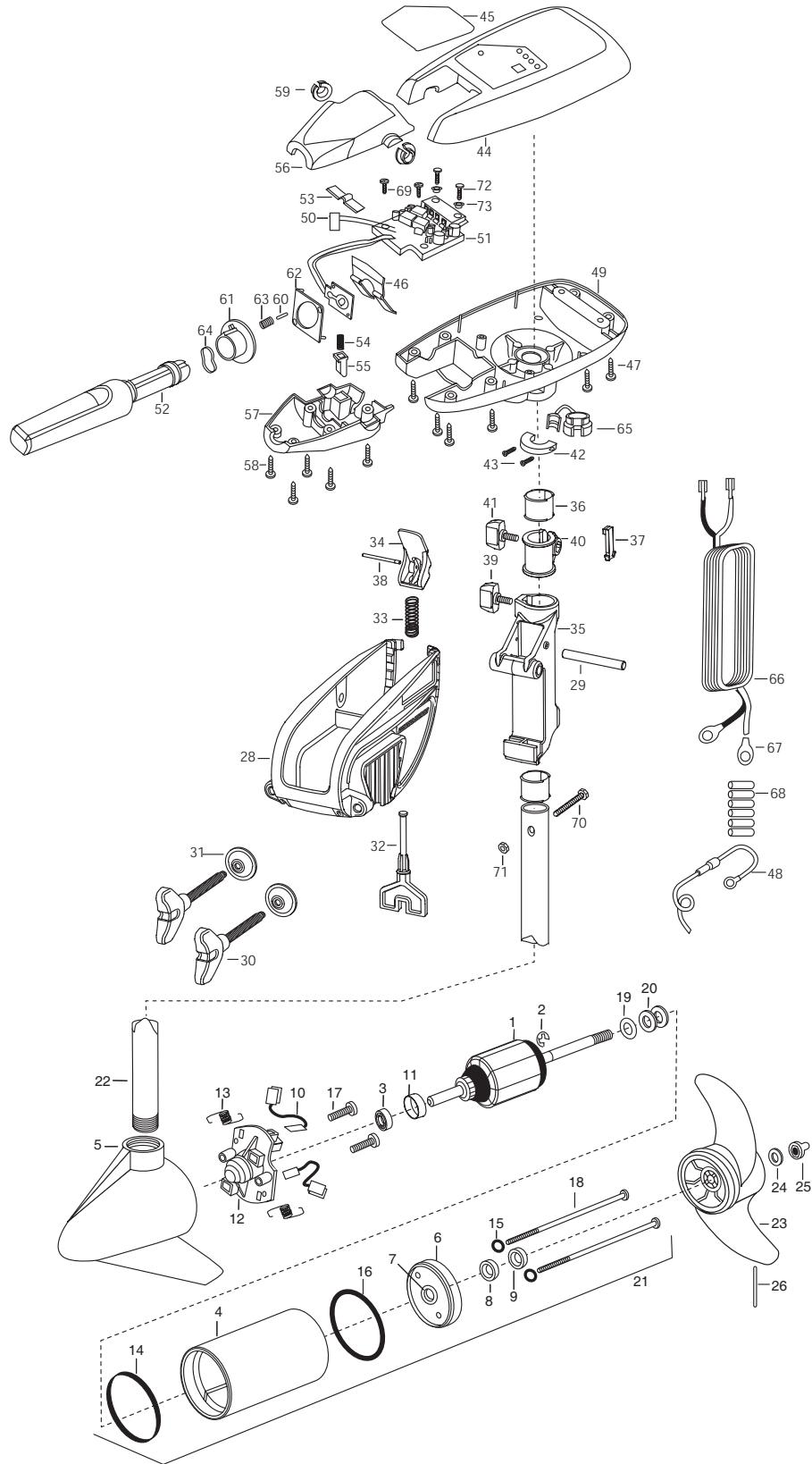


RT55/S
55 LBS. THRUST
12 VOLT 45 AMPS
36" OR 42" SHAFT

for use with motors with serial numbers beginning MKAE
3-year warranty from the date of purchase

Click here to order parts. www.warnersdock.com 888/222-3625



1	92-100-013	ARMATURE ASSEMBLY12V 3.625 55#	37	2062800	TENSION BLOCK- SNAP IN" [2.EA]
2	788-015	RETAINING RING	38	2060516	PIN-TILT LEVER ENDURA
3	140-010	BEARING -BALL	39	2011386	SCREW-TENSION/NEW KNOB
4	92-200-301	CENTER HOUSING ASSEMBLY 3.62 SW WHT	40	2061520	COLLAR-DEPTH
5	421-336	HOUSING BRUSH END 3.625 SW WH	41	2011366	SCREW-COLLAR/NEW KNOB SS [2.EA]
6	92-400-337	PLAIN END HOUSING 3.625 S/W	42	2061517	COLLAR-CTRL BOX WHITE
7	144-049	BEARING - FLANGE (SERVICE ONLY)	43	2223430	SCREW-#8X3/4 PPH TYPE 25 SS [2.EA]
8	880-003	**SEAL	44	2300219	COVER-CONTROL BOX RIPTIDE WHITE
9	880-006	**SEAL WITH SHIELD	45	2095681	DECAL-COVER RT55/S/B WHT
10	188-036	BRUSH ASSEMBLY [2. EA]	46	2302743	SPRING-DETENT HANDLE-TILT
11	725-050	BRUSH RETENTION	47	2303412	SCREW- 6-20X5/8 SELF TAP [6.EA]
12	738-036	BRUSH PLATE W/HOLDER	48	2060310	CONNECT'GROUND WIRE-FUSED
13	975-040	SPRING - TORSION [2.EA]	49	2062596	CONTROL BOX,SW, WHT .725 BORE
14	337-036	**GASKET	50	2305810	TAG-AIR SWITCH LEADS
15	701-008	**O-RING [2. EA]	51	2334007	CONTROL BOARD ASSEMBLY
16	701-081	**O-RING	52	2990915	HANDLE ASSEMBLY W/O U-JOINT
17	830-007	SCREW #8-32 [2.EA]	53	2302742	SPRING-DETENT (OFF) SS
18	830-042	THRU BOLT 10-32X8.83 [2. EA]	54	2302745	SPRING-RELEASE BUTTON SS
19	990-067	WASHER - STEEL THRUST	55	2303720	RELEASE BUTTON-HANDLE
20	990-070	WASHER - NYLATRON [2.EA]	56	2060411	HANDLE- TOP HALF MAXIMIZE
21	2099096	MOTOR ASSEMBLY 12V 3.625 VARS SW	57	2060415	HANDLE- LOWER HALF
22	2032031	TUBE (COMPOSITE) 36"	58	2303412	SCREW- 6-20X5/8 SELF TAP [5.EA]
	2032032	TUBE (COMPOSITE) 42"	59	2060005	BEARING-HANDLE PIVOT [2.EA]
■	1378122	PROPELLER KIT (prop, washer, nut, & pin)	60	2302600	PIN-ACTUATOR
23	2091150	PROPELLER W/WEDGE	61	2302850	ACTUATOR-CAM
24	2151726	WASHER- 5/16 STD SS	62	2302851	ACTUATOR-FWD/REV
25	2198400	ANODE-ZINC 3.25/3.625 LWR U	63	2302740	SPRING- ACTUATOR
26	2092600	PIN-DRIVE	64	2302741	SPRING- CAM ZNC PLTD STEEL
■	2771816	BRACKET & HINGE ASSEMBLY ENDURA SW	65	2052900	STRAIN RELIEF-C.CORD/SP.C
28	2061910	BRACKET	66	2090600	LEADWIRE (10 GA) RINGS
29	2060511	PIN-HINGE ENDURA SS	67	2020700	TERMINAL RING, 3/8" [2.EA]
30	2061301	SCREW-CLAMP ENDURA [2.EA]	68	2305400	SHRINK TUBE- 3/8 OD [6.EA]
31	2331700	WASHER-CLAMP SCREW 1.5 OD [2.EA]	69	2372100	SCREW- 8-18X5/8 THD SS [2.EA]
32	2063605	T-BAR PLASTIC ENDURA	70	2263406	SCREW- 10-24X2 SS
33	2062706	SPRING- T-BAR ENDURA	71	2333101	NUT-10-24 NYLOCK UNC-2B
34	2067201	LEVER- TILT ENDURA BLACK	72	2301310	SCREW- 8-18X1/2 SS [2.EA]
35	2061810	HINGE- PLASTIC ENDURA	73	2301710	WASHER-INSUL. TRANSF.BAR [2.EA]
36	2037301	BUSHING-HINGE [2.EA]			

**Seal & Oring Kit P/N 2888460

* This item is part of an assembly. This item cannot be sold separately due to machining and /or assembly that is required.

p/n 2094905 REVA 9-01

