



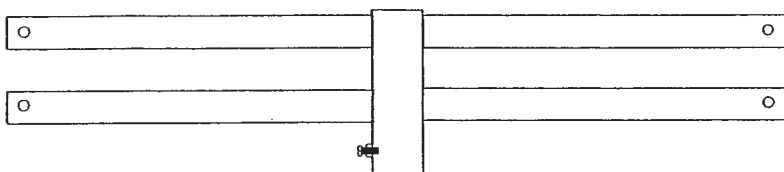
# Helper Wheel For "L" Dock

## Complete For 4' Wide Dock

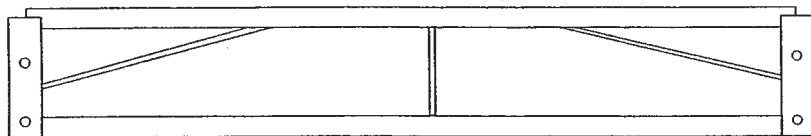
With 5' Aluminum Upright	D1HLA
With 5' Steel Upright	D1HLS
With 8' Aluminum Upright	D1HLA8
With 8' Steel Upright	D1HLS8

## Complete For 6' Wide Dock

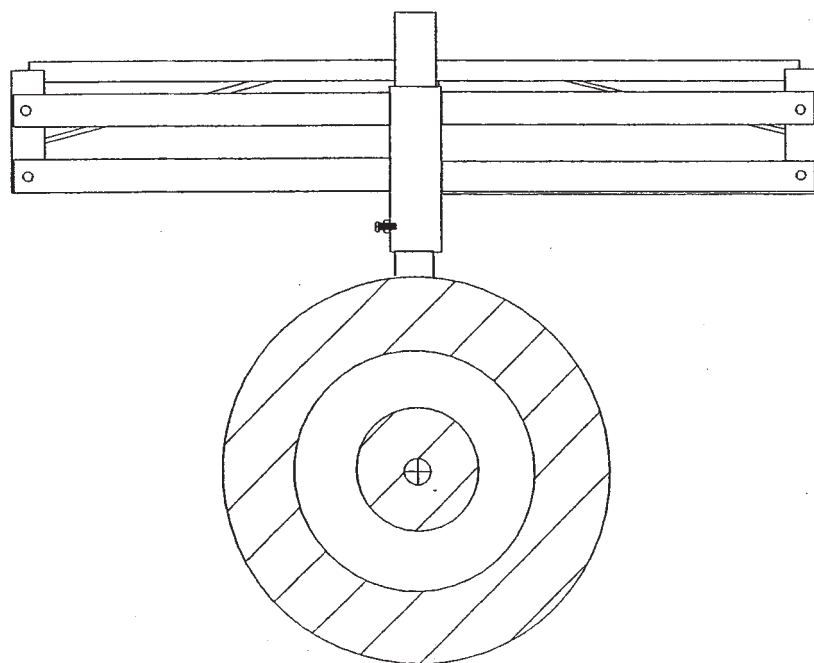
With 5' Aluminum Upright	D6HLA
With 5' Steel Upright	D6HLS
With 8' Aluminum Upright	D6HLA8
With 8' Steel Upright	D6HLS8



Aluminum 4' Wide Cross Bar	D1HLA1
Steel 4' Wide Cross Bar	D1HLS1
Aluminum 6' Wide Cross Bar	D6HLA1
Steel 6' Wide Cross Bar	D6HLS1



**END VIEW OF DOCK**



### 5' "L" UPRIGHT

Aluminum	D1HLA2
Steel	D1HLS2

### 8' "L" UPRIGHT

Aluminum	D1HLA81
Steel	D1HLS81

## Complete Parts list

Qty.	Description	Part#
1	Dock Tire	DWHEEL
1	Cross Bar	
1	"L" Upright	
1	Tire Washer	DTW
4	1/2" X 3" Bolt	NB123G*
4	1/2" Nuts	NN12S*
1	1/2" X 1-1/2" Set Screw (2 Set Screws in 6' Wide)	LLSS*
1	Cotter Pin 1/4" X 2"	NCP**

\* Shipped in Cross Bar

\*\* Shipped in "L" Upright

"Quality Since 1971"

HEWITT MACHINE & MFG, INC. Box 111 Nicollet, MN 56074 (507) 225-3421

www.hewitt-roll-a-dock.com e-mail: info@hewitt-roll-a-dock.com