

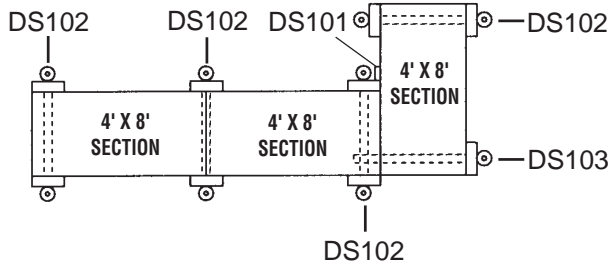
**HEWITT**

# SECTIONAL ALUMINUM DOCK SYSTEM INSTALLATION INSTRUCTIONS

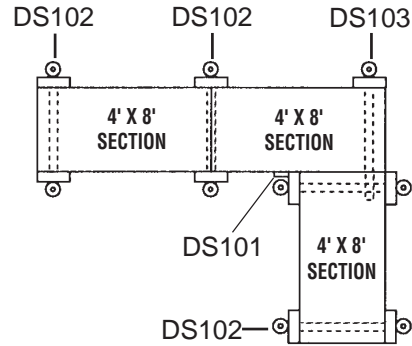
PART# DSASSY

## 4FT TYPICAL CONFIGURATIONS

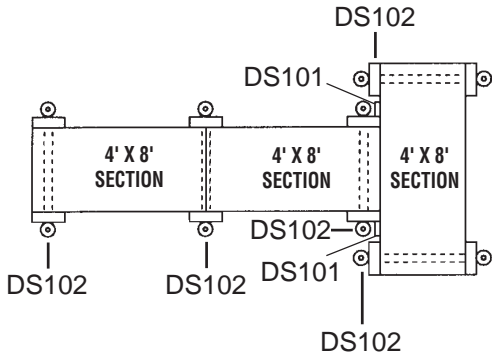
**A**



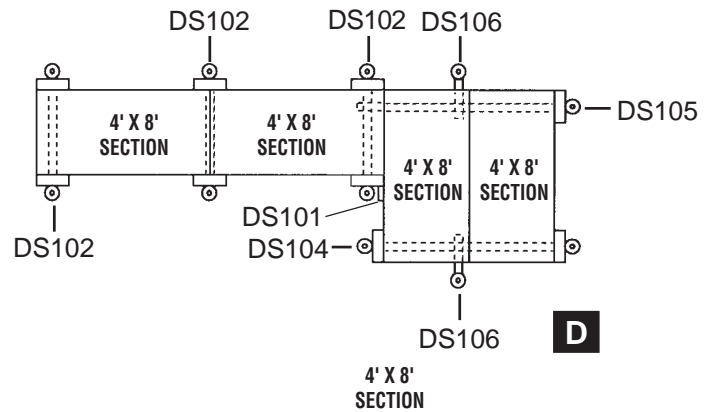
**B**



**C**

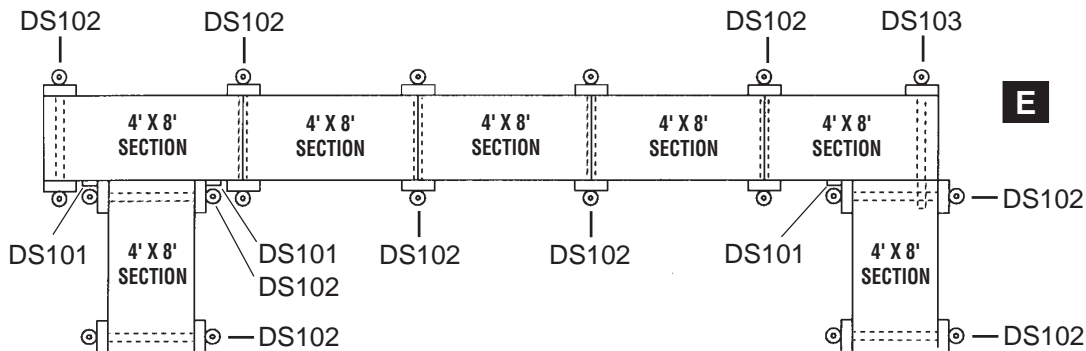


**D**



4' X 8'  
SECTION

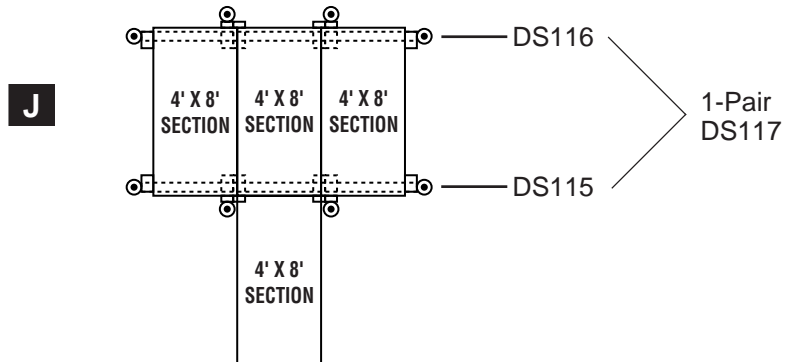
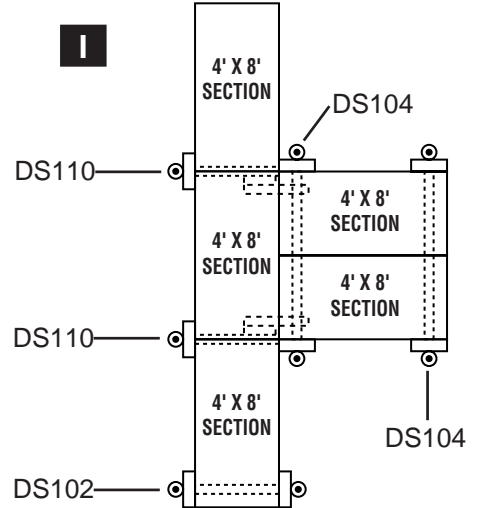
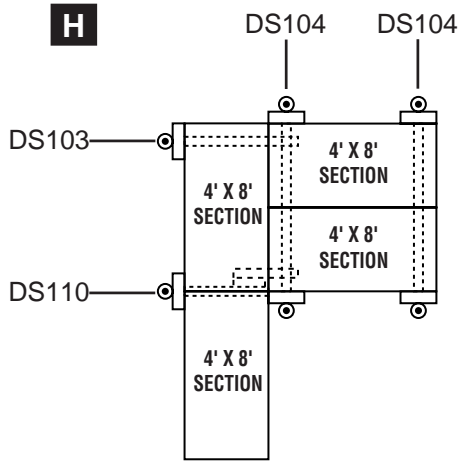
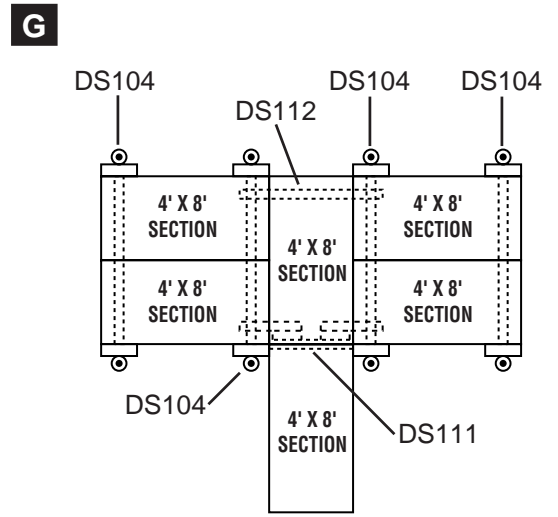
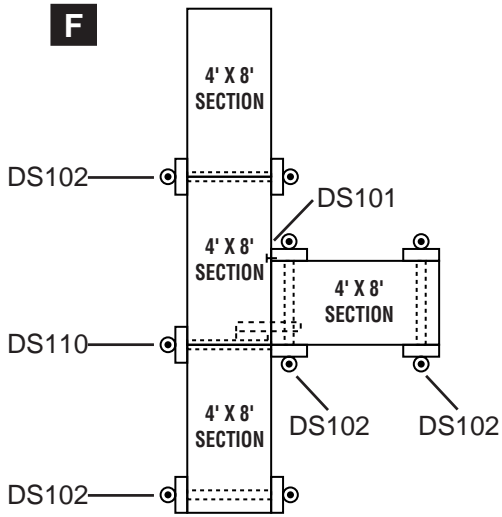
**E**



*"Quality Since 1971"*

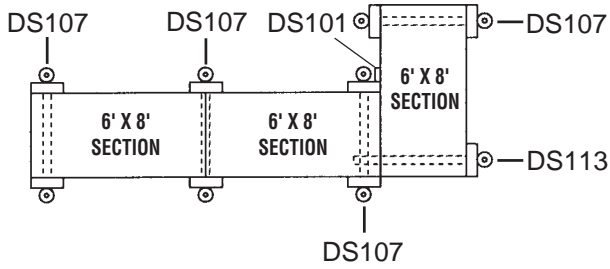
**HEWITT MACHINE & MFG, INC. Box 111 Nicollet, MN 56074 (507) 225-3421**  
www.hewitt-roll-a-dock.com e-mail: info@hewitt-roll-a-dock.com

## 4FT TYPICAL CONFIGURATIONS (CONTINUED)

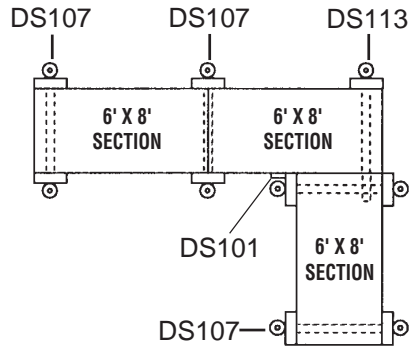


# 6FT TYPICAL CONFIGURATIONS

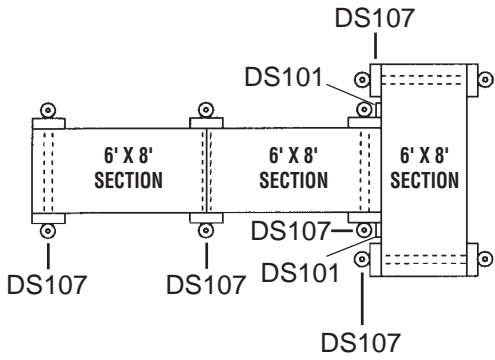
**K**



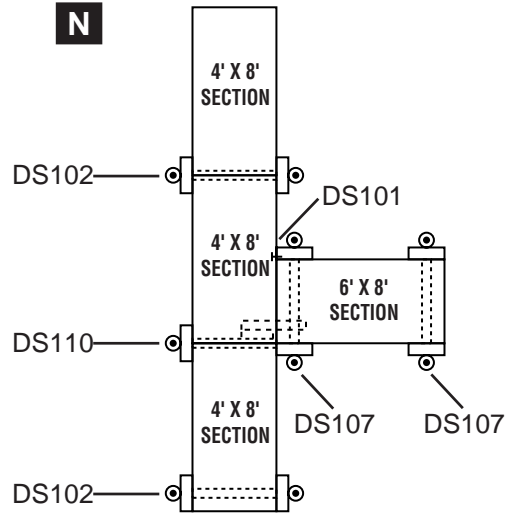
**L**



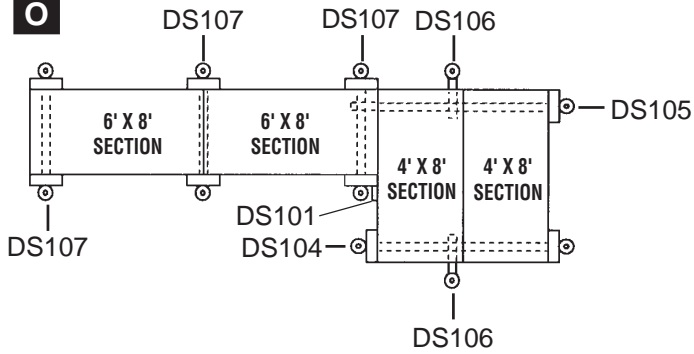
**M**



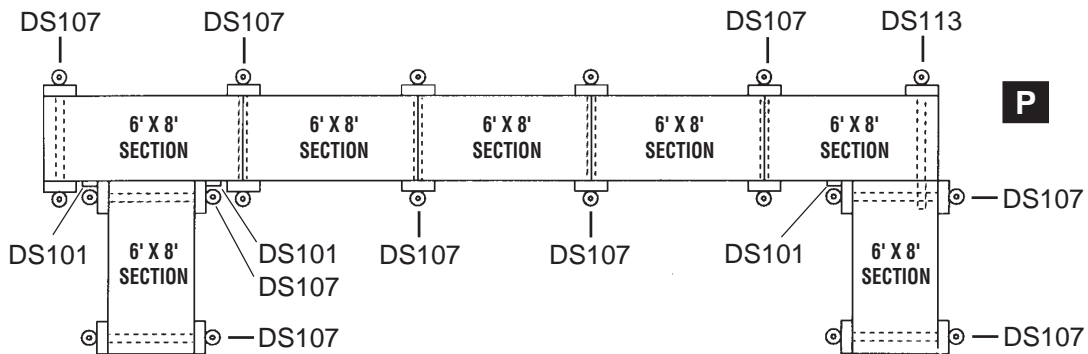
**N**



**O**

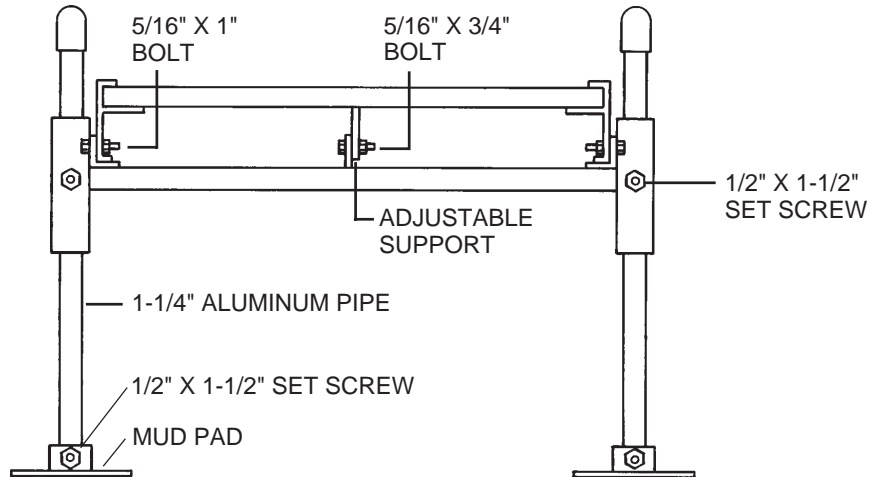


**P**



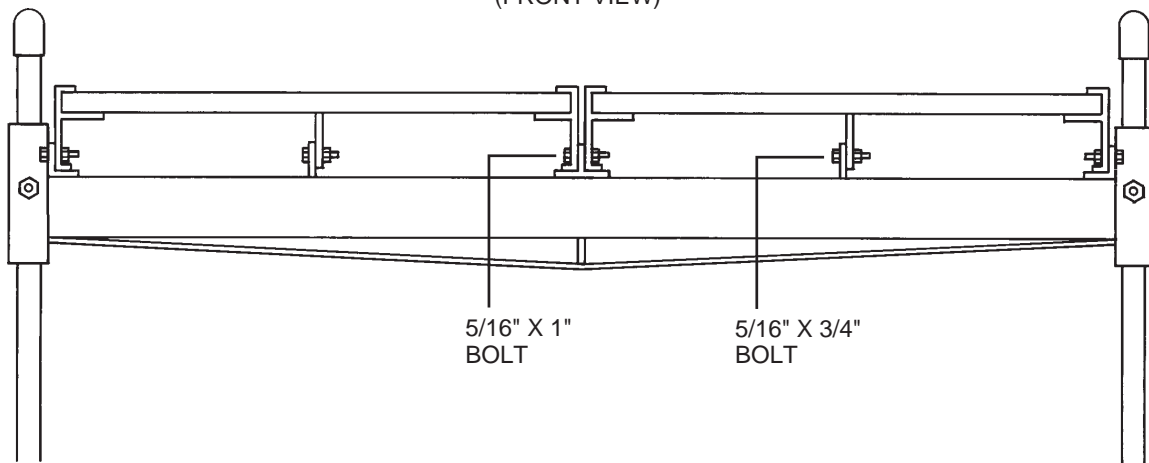
# DS102 - 4' CROSS ARM BRACKET DS107 - 6' CROSS ARM BRACKET

(FRONT VIEW)



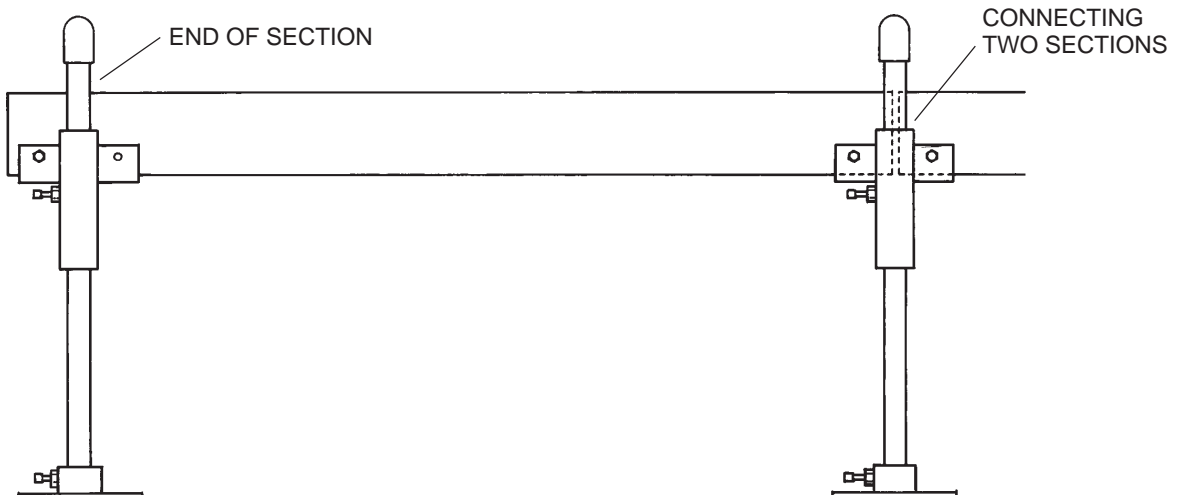
# DS104 - 8' CROSS ARM BRACKET

(FRONT VIEW)

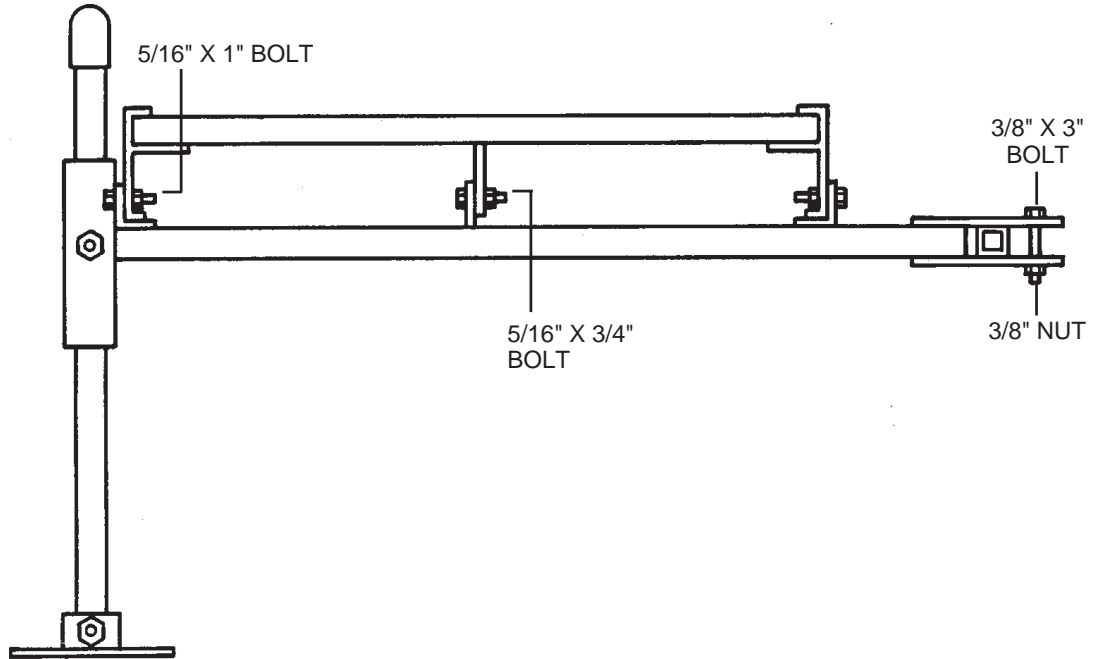


# TYPICAL SECTION

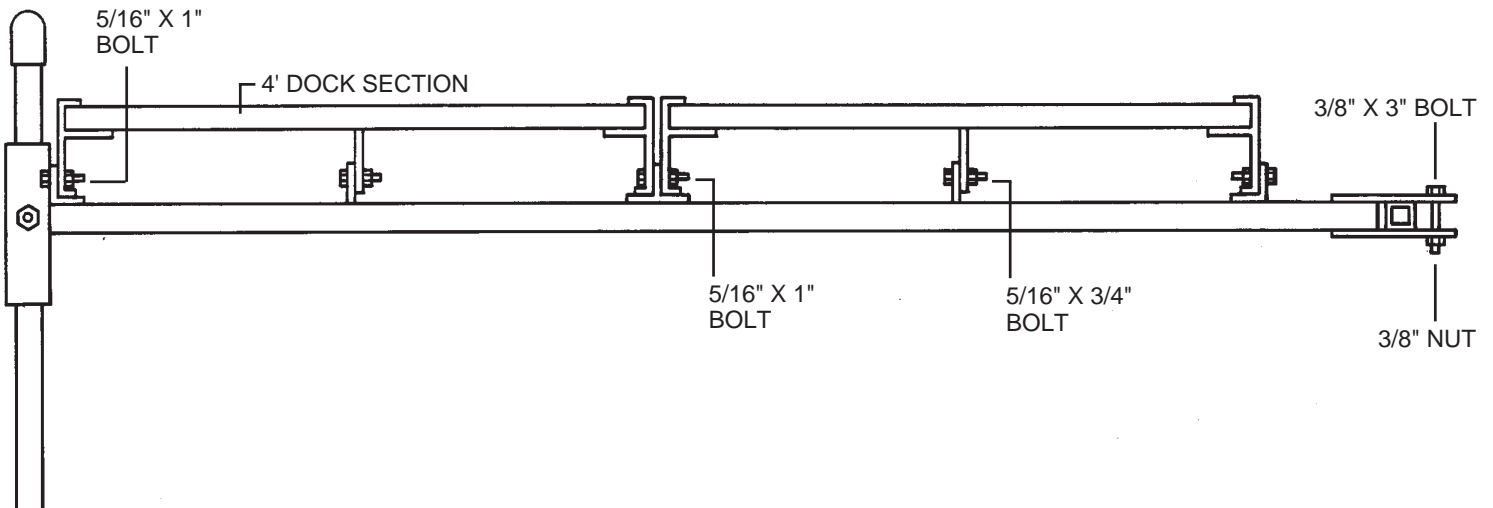
(SIDE VIEW)



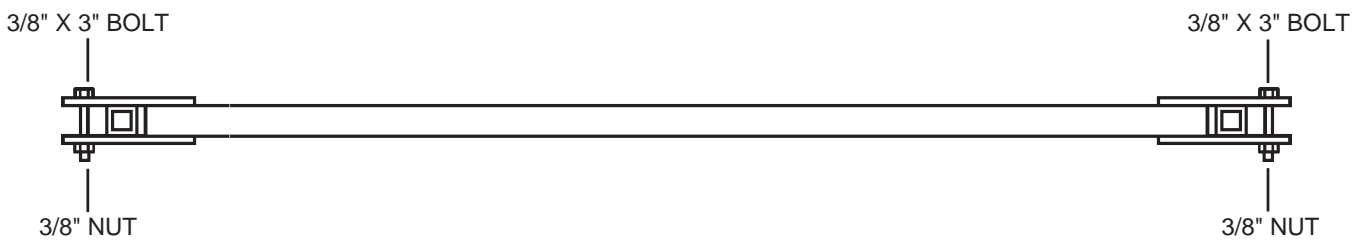
**DS103 - 4' TURN ARM BRACKET FOR L SECTION**  
**DS113 - 6' TURN ARM BRACKET FOR L SECTION**



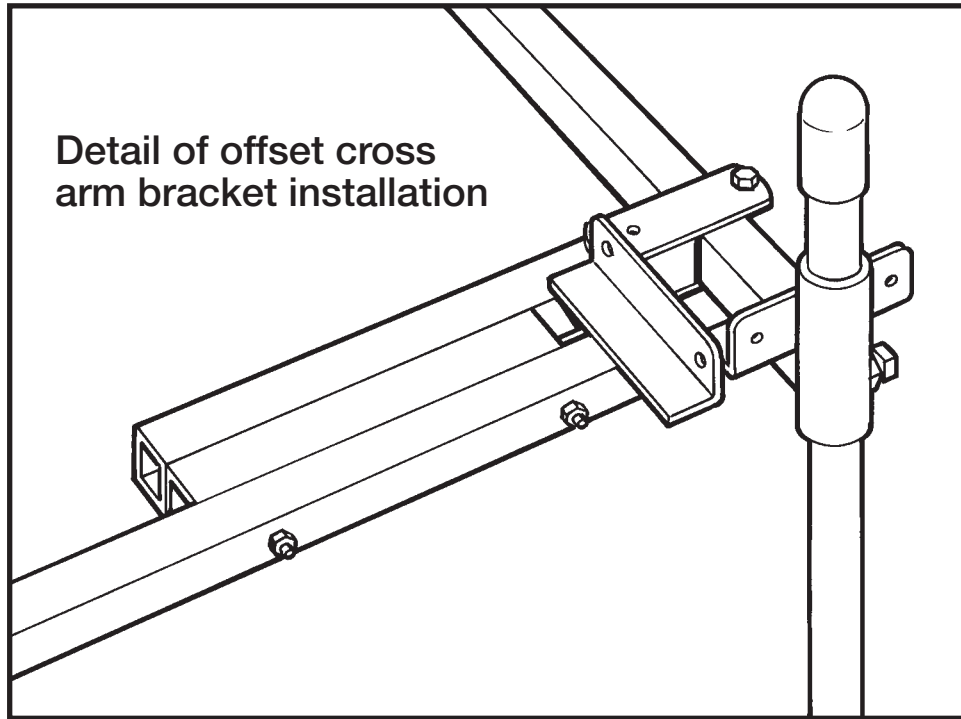
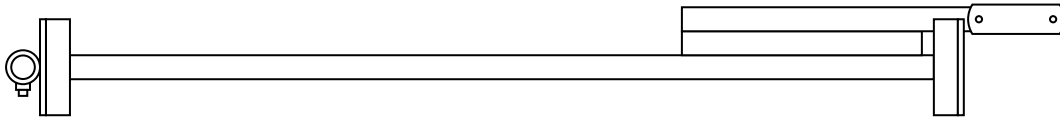
**DS105 - 8' TURN ARM BRACKET**



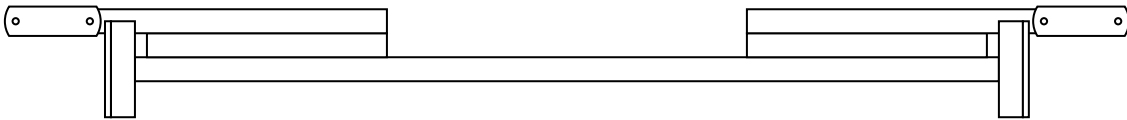
**DS112 - STRAIGHT CROSS BRACKET**



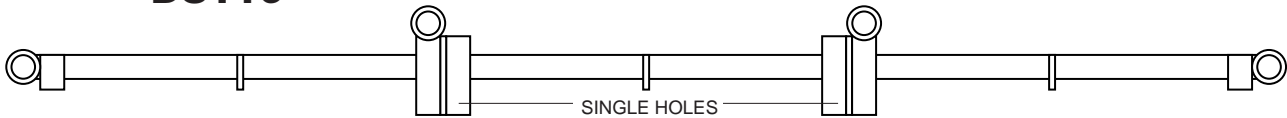
## DS110 - SINGLE OFFSET CROSS ARM BRACKET



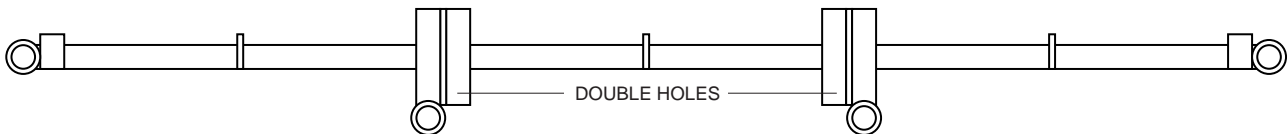
## DS111 - DOUBLE OFFSET CROSS ARM BRACKET



### DS116

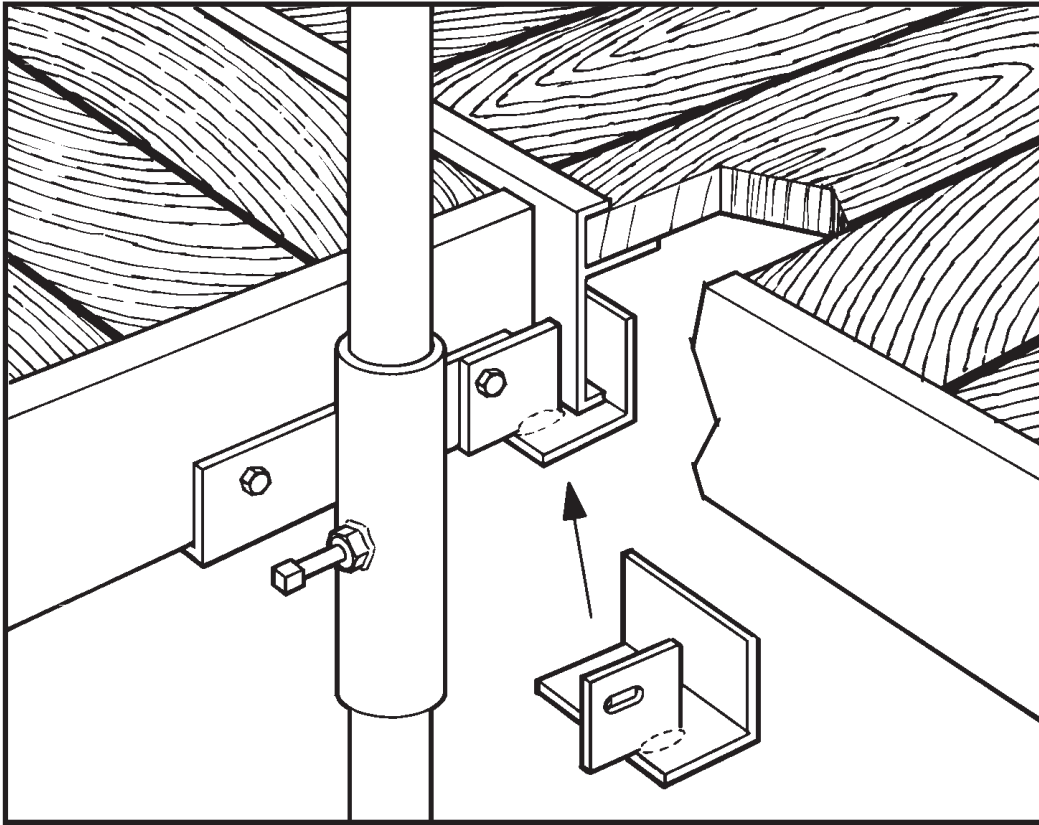


### DS115

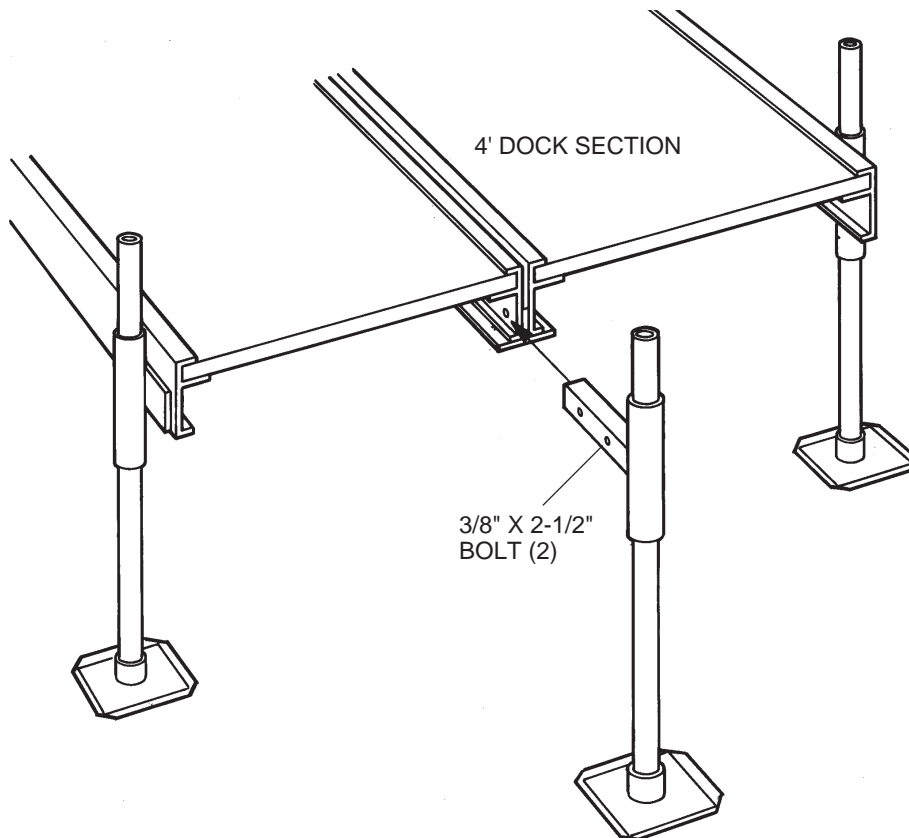


1-PAIR  
DS117

## DS101 - TURN SECTION CLAMP



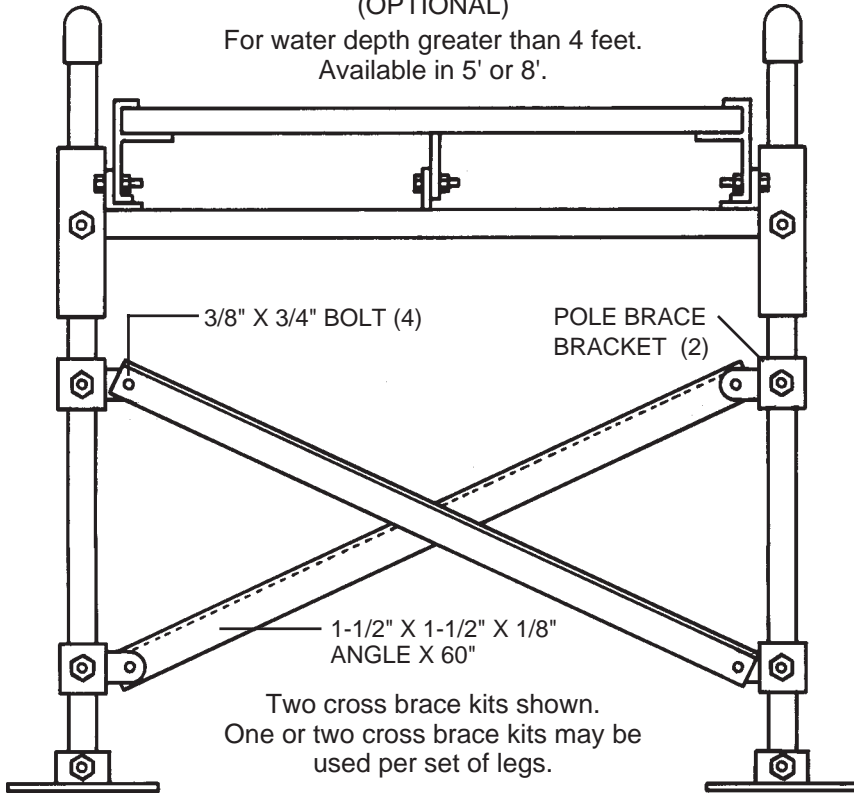
## DS106 - MIDDLE CROSS ARM BRACKET



# STANDARD POLE CROSS BRACE KIT

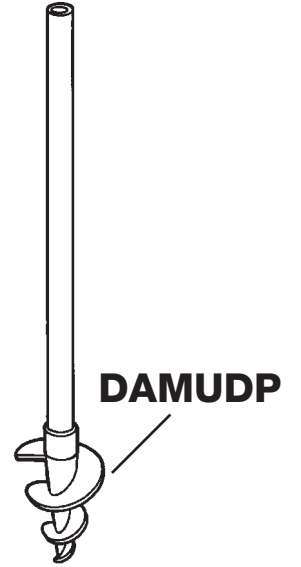
(OPTIONAL)

For water depth greater than 4 feet.  
Available in 5' or 8'.



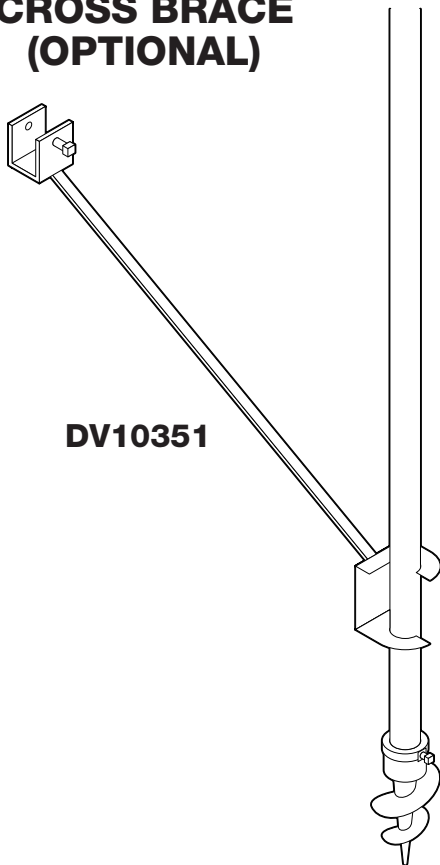
**DS1095 - 5' CROSS BRACE KIT**  
**DS108 - 8' CROSS BRACE KIT**

# ALTERNATIVE POST ANCHORING (OPTIONAL)



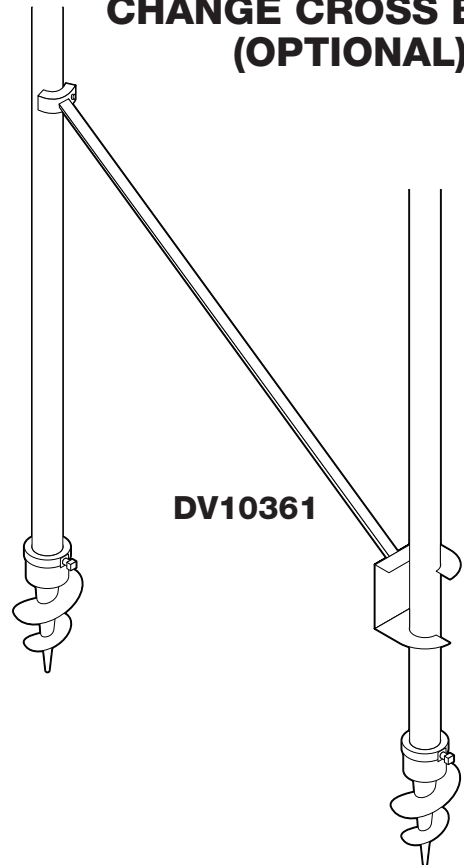
**POINT AUGER**  
for normal bottom

# 5 FT QUICK CHANGE CROSS BRACE (OPTIONAL)



**DV10351**

# 6 FT PIPE QUICK CHANGE CROSS BRACE (OPTIONAL)



**DV10361**