



# LIFT JACK With Braking Winch LWJB

**Maximum Lifting Capacity: 800 lbs.**

**HARDWARE BAG – LWJ5**

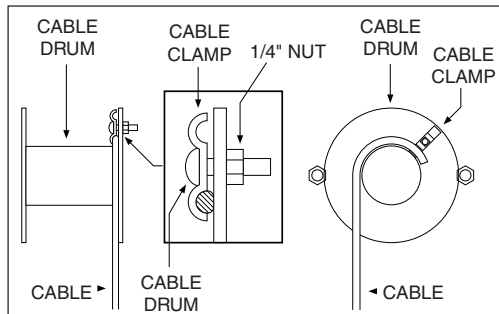
- 2 - 3/8" X 3-1/2" BOLTS – NB38312G
- 3 - 3/8" X 4" BOLTS – NB384G
- 5 - 3/8" NUTS – NN38S
- 1 - 3/8" FLAT WASHER – NW38FL
- 1 - 3/16" 3-LINK CHAIN – L1PC3/163L
- 1 - 2" TEARDROP PULLEY – L1P2T
- 1 - B1200 BOLT BAG – LWBBS
- 1 - B1200 WINCH – LWB12
- 1 - CRANK HANDLE – LWWCH
- 1 - 3/16" X 9-1/2" CABLE – L1C9123
- 1 - 3/16" CABLE CLAMP – L1CC3/16
- 1 - "J" HOOK WITH HANDLE – LWTJ

**CAUTION**

**DO NOT** operate Lift Jack while boat is on hoist.  
 Make sure Winch is properly engaged before operating Lift Jack.  
 Stay clear and keep others clear of lift while using Lift Jack.  
 Failure to do so may result in injury or property damage.

**FRAME BUNDLE – LWJ2**

- 1 - JACK UPRIGHT – LWJ3
- 1 - JACK BASE – LWJ4

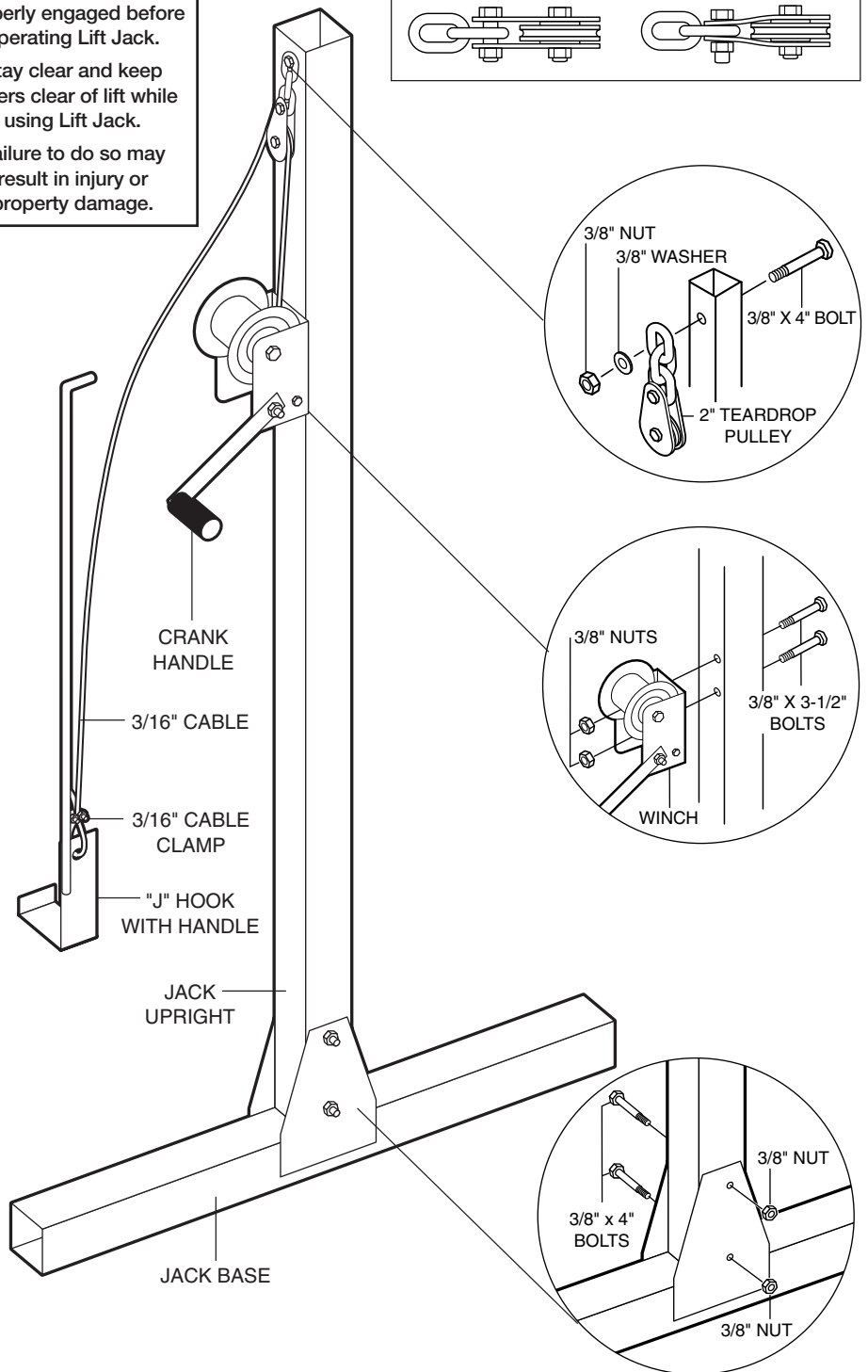


**Cable Installation:** The winch turns clockwise when looking at the winch wheel. Route the cable over the winch drum in the direction the drum will rotate and under the cable clamp. A minimum of three full wraps of cable should be present before winch load is applied.

**Attention**

before using check all cable clamps and bolts making sure they are all tight.

**Note:** To raise lift, grip winch handle firmly and turn it clockwise. If lowering, grip winch handle firmly and turn counter clockwise. Releasing handle will allow itself to turn counter clockwise and lower quickly. To allow the brake to work correctly, don't let go of handle until winch has made 3 revolution clockwise.



*"Quality Since 1971"*