



## Full Length Centering Guide Step

### STANDARD FULL LENGTH CENTERING GUIDE STEP LFLCG

For 1800, 2400, 3000, 3600, 4200 and  
4800 Hewitt Cantilever Lifts

- 2 2" x 4" x 12' CARPETED STEP BUNKS – LFLCG1
- 4 UPRIGHTS – LFLCG3
- 4 UPRIGHT EXTENSIONS – LFLCG4
- 16 1/4" x 1-1/2" LAG BOLTS – NB14112L
- 8 3/8" x 4-1/2" FULLY THREADED BOLTS – NB38412FT
- 8 3/8" NUTS – NN38S
- 4 3/8" x 2" KEEL PLATES – LCRKPM

### MEDIUM FULL LENGTH CENTERING GUIDE STEP LFLCGH

For 1600, 2600, 3800 & 4600 HiLifter  
and 3200 & 4500 Hefty Lifts

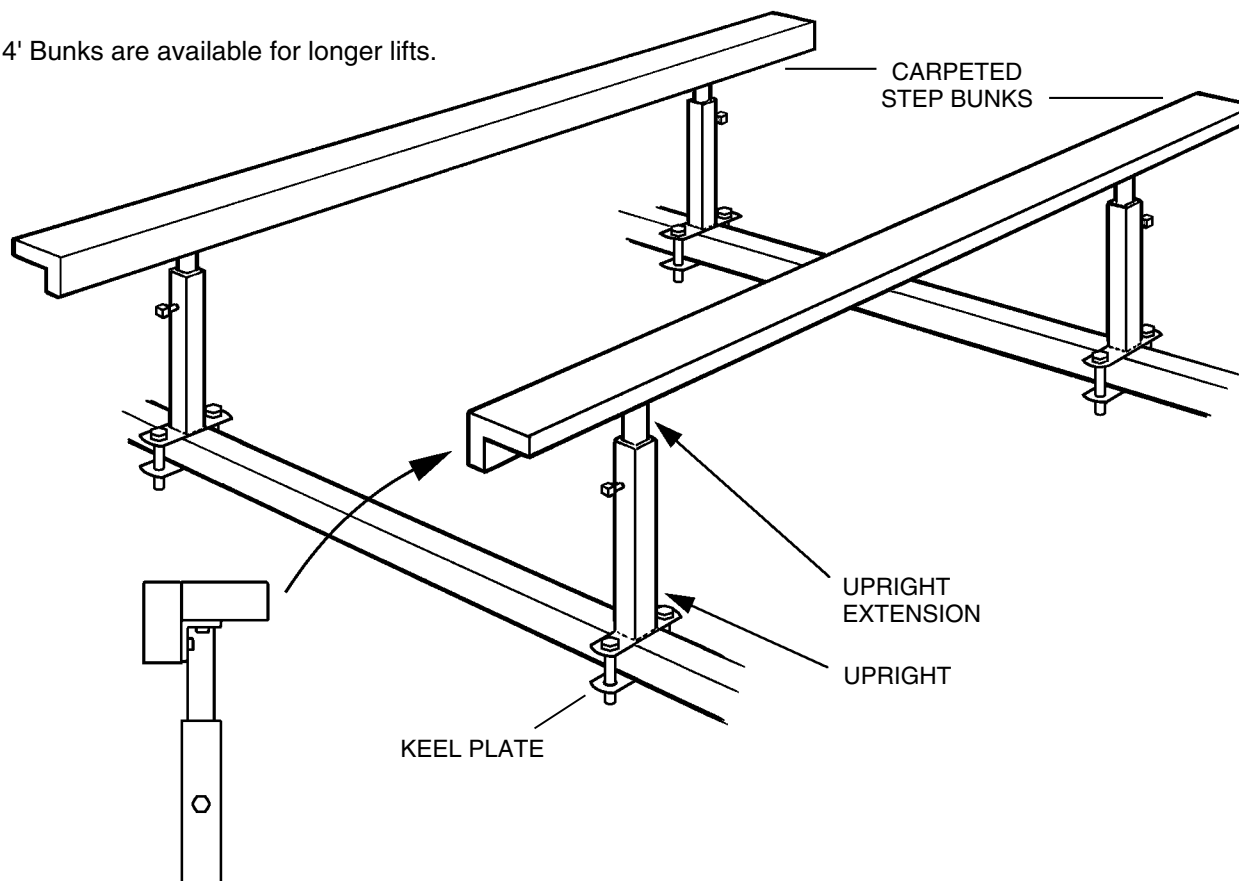
- 2 2" x 4" x 12' CARPETED STEP BUNKS – LFLCG1
- 4 UPRIGHTS – LFLCG3
- 4 UPRIGHT EXTENSIONS – LFLCG4
- 16 1/4" x 1-1/2" LAG BOLTS – NB14112L
- 8 3/8" x 6-1/2" FULLY THREADED BOLTS – NB38612FT
- 8 3/8" NUTS – NN38S
- 4 3/8" x 2" KEEL PLATES – LCRKPM

### LARGE FULL LENGTH CENTERING GUIDE STEP LFLCGHL

For 5600 & 6600 HiLifter and 6000,  
8000, 10,000 & 12,000 Hefty Lifts

- 2 2" x 4" x 12' CARPETED STEP BUNKS – LFLCG1
- 4 LARGE UPRIGHTS – LFLCGHL1
- 4 UPRIGHT EXTENSIONS – LFLCG4
- 16 1/4" x 1-1/2" LAG BOLTS – NB14112L
- 8 3/8" x 9" BOLTS 1" THREADS – NB389FT
- 8 3/8" NUTS – NN38S
- 4 3/8" x 2" LARGE KEEL PLATES – LCRKPL

NOTE: 14' Bunks are available for longer lifts.



*"Quality Since 1971"*

HEWITT MACHINE & MFG, INC. Box 111 Nicollet, MN 56074 (507) 225-3421

www.hewitt-roll-a-dock.com e-mail: info@hewitt-roll-a-dock.com