



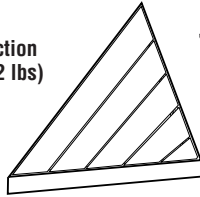
**HEWITT**

# CLASSIC DOCK ASSEMBLY / INSTALLATION INSTRUCTIONS

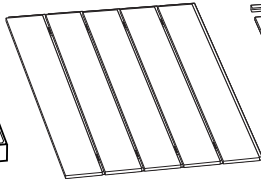
## CLASSIC DOCK PARTS



Dock Connection  
Clamp (1-1/2 lbs)  
DV102

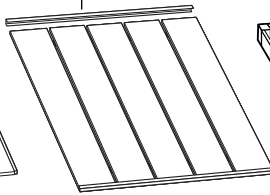


*Optional*  
Triangle Section

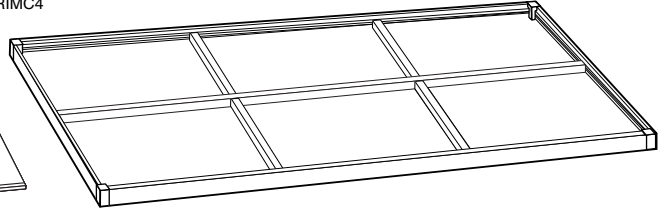


4' x 4' Cedar Decking  
Section (36 lbs)  
D1DCC4X4

4' CLASSIC SIDE TRIM ONLY - D1DTRIMC4

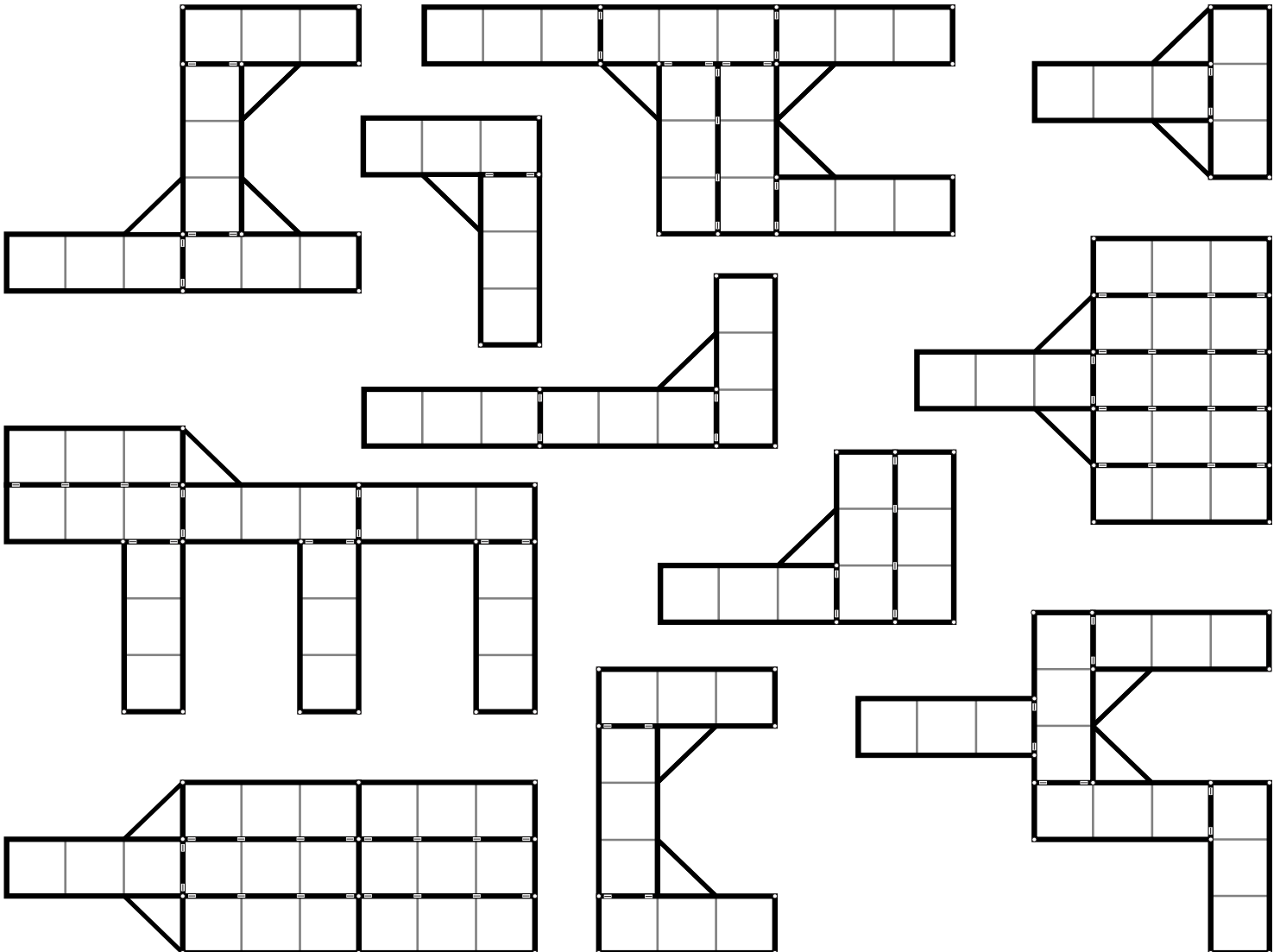


4' x 4' Aluminum Decking  
Section With Trim (36 lbs)  
D1DCA4X4



4' x 8' Dock Section (70 lbs)  
4' x 12' Dock Section (95 lbs)  
4' x 16' Dock Section (120 lbs)

## TYPICAL CONFIGURATIONS



*"Quality Since 1971"*

HEWITT MACHINE & MFG, INC. Box 111 Nicollet, MN 56074 (507) 225-3421

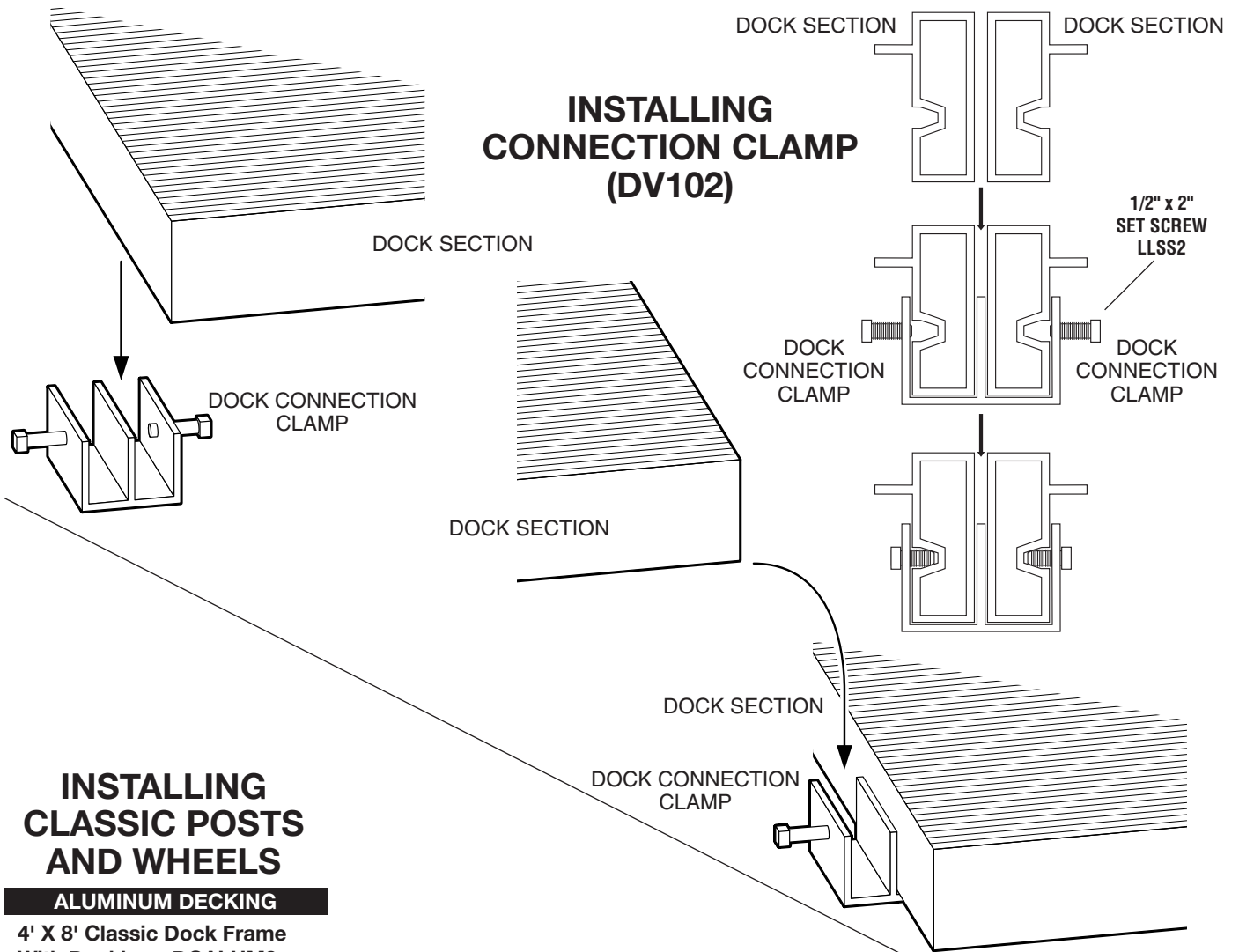
www.hewitt-roll-a-dock.com e-mail: info@hewitt-roll-a-dock.com



**HEWITT**

# CLASSIC DOCK

## ASSEMBLY / INSTALLATION INSTRUCTIONS



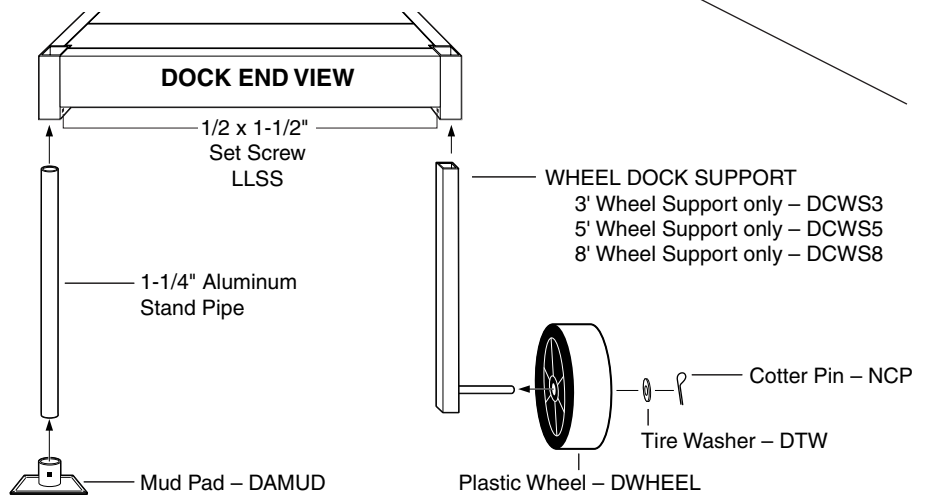
### INSTALLING CLASSIC POSTS AND WHEELS

#### ALUMINUM DECKING

- 4' X 8' Classic Dock Frame With Decking - DCALUM8
- 4' X 12' Classic Dock Frame With Decking - DCALUM12
- 4' X 16' Classic Dock Frame With Decking - DCALUM16

#### CEDAR DECKING

- 4' X 8' Classic Dock Frame With Decking - DCCEDAR8
- 4' X 12' Classic Dock Frame With Decking - DCCEDAR12
- 4' X 16' Classic Dock Frame With Decking - DCCEDAR16





**HEWITT**

# CLASSIC DOCK ASSEMBLY / INSTALLATION INSTRUCTIONS

## INSTALLING DOCK SCREW ADJUSTABLE LEGS

### ALUMINUM DECKING

4' X 8' Classic Dock Screw Adjustable Legs Dock Frame With Decking - DCALUM8

4' X 12' Classic Dock Screw Adjustable Legs Dock Frame With Decking - DCALUM12

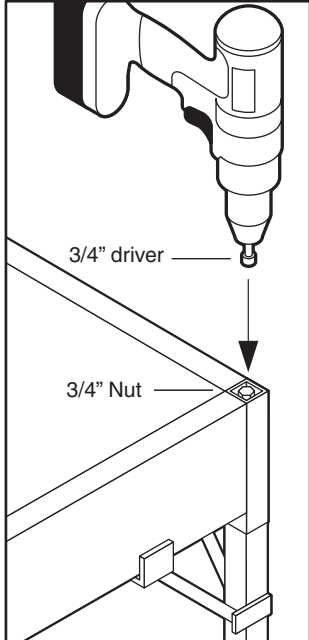
4' X 16' Classic Dock Screw Adjustable Legs Dock Frame With Decking - DCALUM16

### CEDAR DECKING

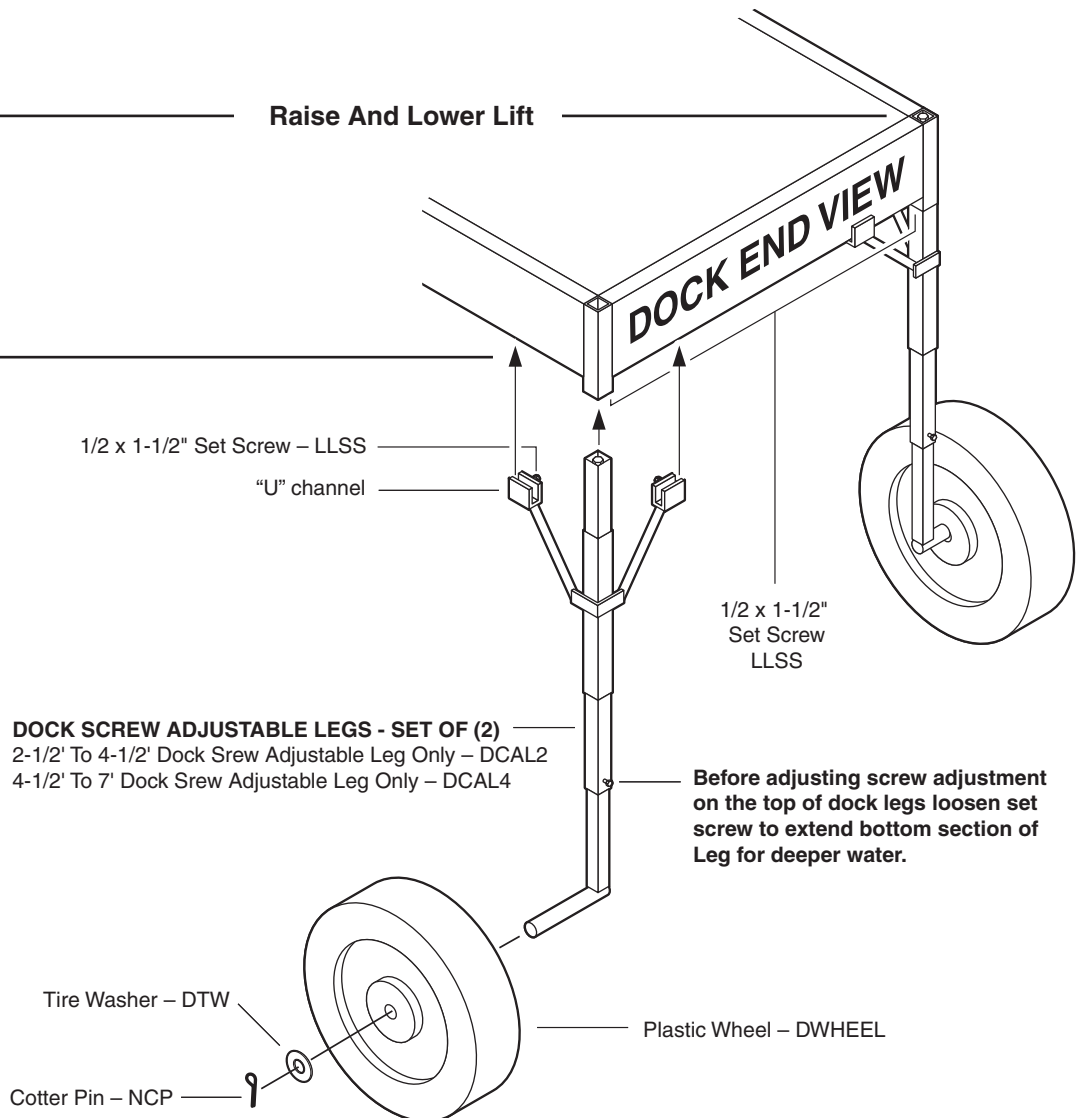
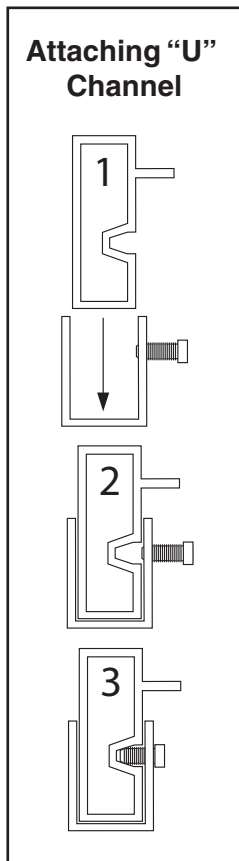
4' X 8' Classic Dock Screw Adjustable Legs Dock Frame With Decking - DCCEDAR8

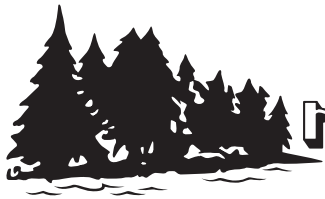
4' X 12' Classic Dock Screw Adjustable Legs Dock Frame With Decking - DCCEDAR12

4' X 16' Classic Dock Screw Adjustable Legs Dock Frame With Decking - DCCEDAR16



Raise And Lower Lift





**HEWITT**

# CLASSIC DOCK ASSEMBLY / INSTALLATION INSTRUCTIONS

## INSTALLING CLASSIC ADJUSTABLE DOCK

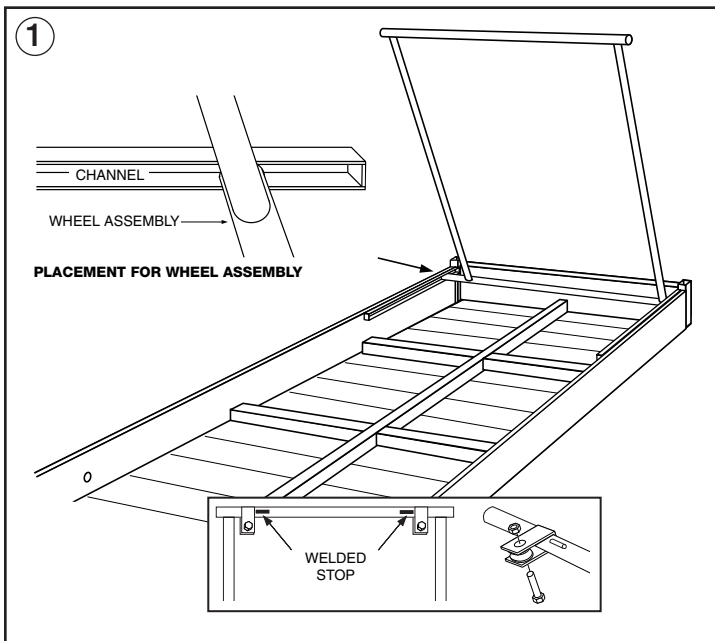
### 4' X 12' Classic Adjustable Dock Frame Only - DCAAAF

#### 1 HARDWARE BAG & WINCH FOR 4' CLASSIC ADJUSTABLE DOCK D6HDWR

- |  |   |
|--|---|
| 1 Winch DL1100 – DWINCH                                  | 2 1/2" x 1-1/2" Bolts – NB12112G                                  |
| 1 Winch Instruction – WDL11                              | 2 1/2" Locking Nuts – NN12L                                       |
| 1 Dock Assembly Instruction – NAASSYDC                   | 6 Cotter Pins – NCP   |
| 1 Winch Bolt Bag – DWINCHB                               | 2 3/8" x 2-1/2" Carriage Bolts – NB38212C (Shipped in dock frame) |
| 1 1/4" Cable 30' Long – D6CABLE                          | 2 3/8" x 1" Bolts – NB381G (not used)                             |
| 1 1/4" Cable Clamp – LICC1/4                             | 2 3/8" Nuts – NN38S   |
| 2 2" Sheaves – LIPS2                                     | 5 5/16" x 1" Bolts – NB5161G                                      |
| 1 Dock Crank Handle – DHANDLE                            | 5 5/16" Nuts – NN516S   |
| 1 Crank Handle Hole Plug – DPLUG                         | 2 Tire Washers – DTW  |
| 1 1" Round Plastic Plug – LWPW1P (Shipped in dock frame) |   |

#### 1 ALUMINUM DOCK BUNDLE – DBUNDLEA

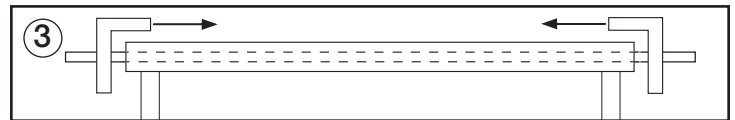
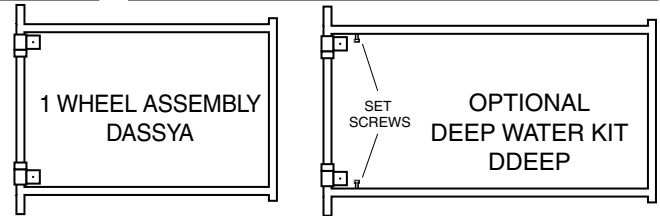
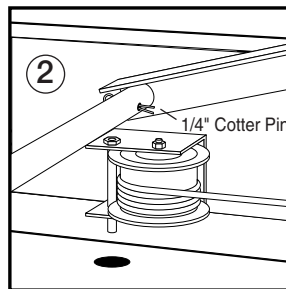
- 1 - 4' PIPE NDA3206
- 1 - 5' AXLE PIPE NDA3207
- 2 - 2" X 4' FLAT STRIPS NDA3208
- 2 - ANGLE BRACES NDA3209



- Lay dock upside down on the ground.
- Assemble 2" pulley sheaves into bracket on wheel assembly with 1/2" x 1-1/2" bolts and lock nuts. The Nut end of bolt should be away from decking.

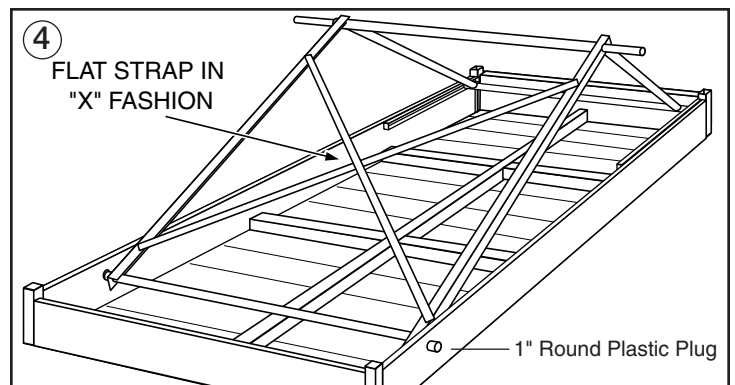
**Note:** Sheaves should turn freely.

- Turn wheel assembly at an angle, place in channel and straighten as shown in diagram above.
- The wheel assembly slides freely in channel. (see diagram above).



- Insert axle pipe through the larger pipe on wheel assembly.
- Slide angled braces over axle up to the wheel assembly.
- Slide 4' pipe through the 1" hole on side of dock, through the angled brace and the angled brace on opposite side of frame.

**Note:** Angle braces should face inward.

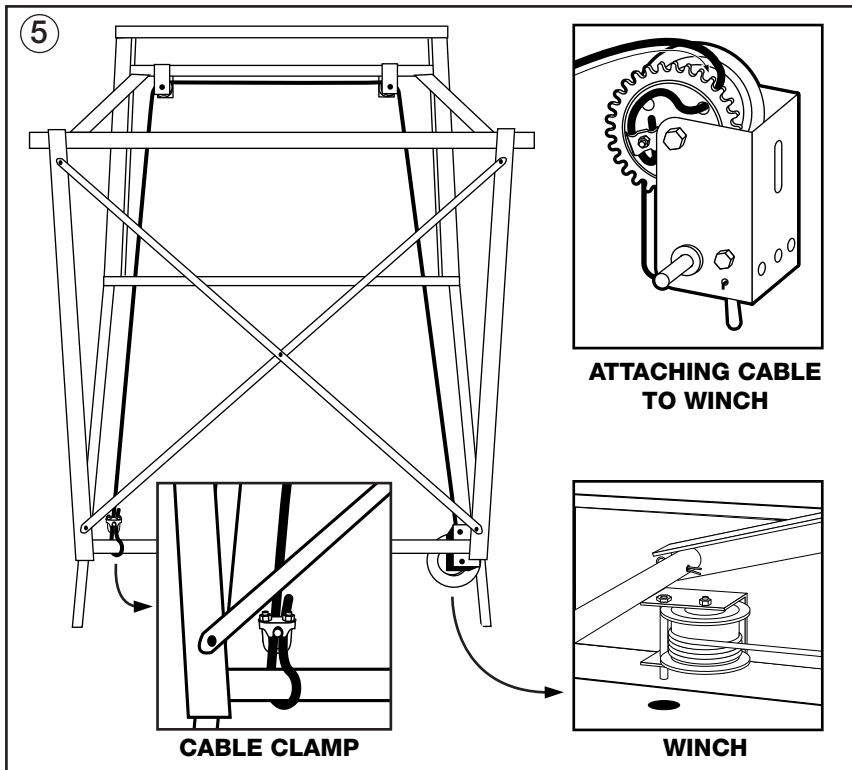


- Place 1" round plastic plug in pipe on outside.
- Drill a 9/32" hole in 4' tube as close as possible to angle brace and secure with a 1/4" cotter pin (see illustration 2).
- Bolt the two flat straps in a x fashion onto the angle braces in the holes provided. Use 5/16" x 1" bolts and nuts.

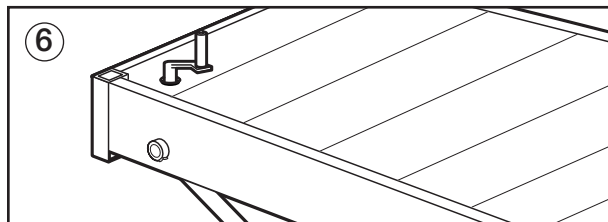


**HEWITT**

# CLASSIC DOCK ASSEMBLY / INSTALLATION INSTRUCTIONS

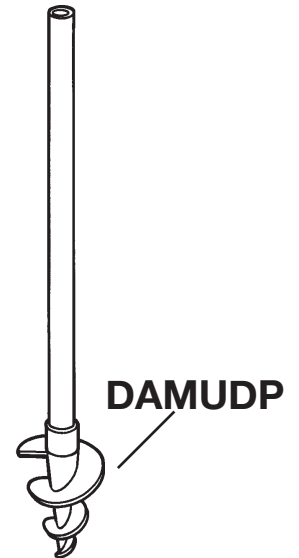


- Use two 3/8" x 2-1/2" bolts to mount winch on side of dock. Threaded shaft on winch faces towards decking.
- Attach cable to winch drum using the winch bolt bag and illustration above.
- Thread cable from winch up to pulley sheaves at front corner, across other front corner, then straight down. Tie off with 1/4" cable clamps on 4" pipe across from where winch is mounted.
- Mount wheels onto axle pipe using a 2-1/2" washer and cotter pin on the outside of each tire.



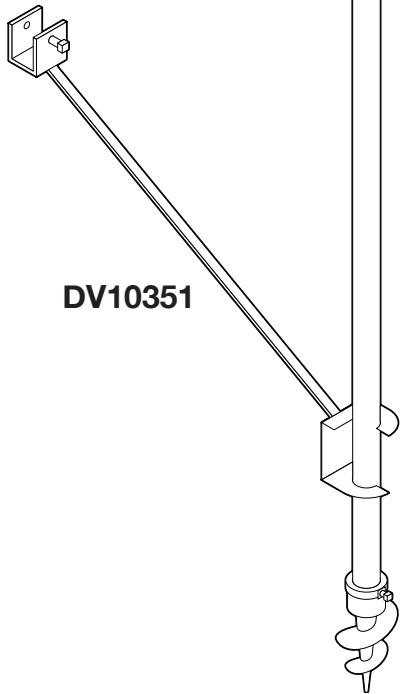
- Check all cable clamps and bolts making sure they are all tight.  
**Note:** Make sure the pulley sheaves, on the wheel assembly, turn.
- Turn dock upright.
- To raise the height of dock grip winch handle firmly and turn it clockwise. If lowering dock grip winch handle firmly, before releasing the locking device, it will turn itself counter clock-wise and lower quickly. Don't let go of handle until locking device is back in clicking position.
- Adjust height with winch when pushing dock into water.

## ALTERNATIVE POST ANCHORING (OPTIONAL)

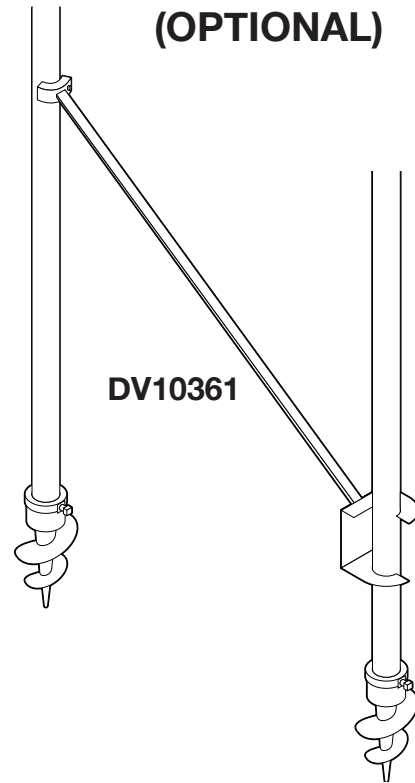


**POINT AUGER**  
for normal bottom

**5 FT QUICK CHANGE  
CROSS BRACE  
(OPTIONAL)**

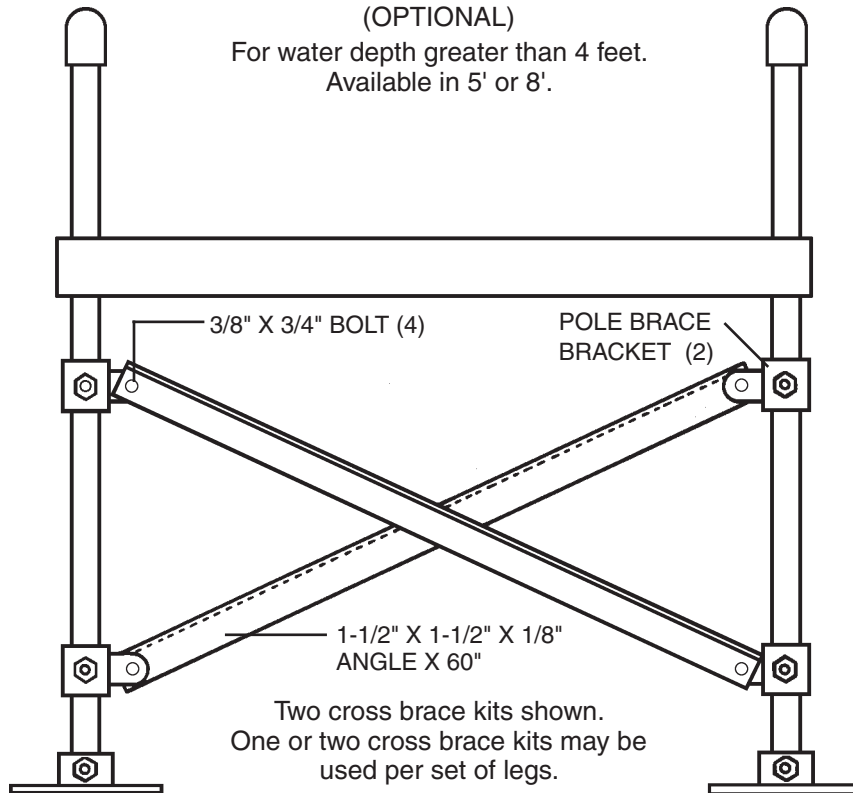


**6 FT PIPE QUICK CHANGE  
CROSS BRACE  
(OPTIONAL)**



**STANDARD POLE CROSS BRACE KIT  
(OPTIONAL)**

For water depth greater than 4 feet.  
Available in 5' or 8'.



**DS1095 - 5' CROSS BRACE KIT**  
**DS108 - 8' CROSS BRACE KIT**