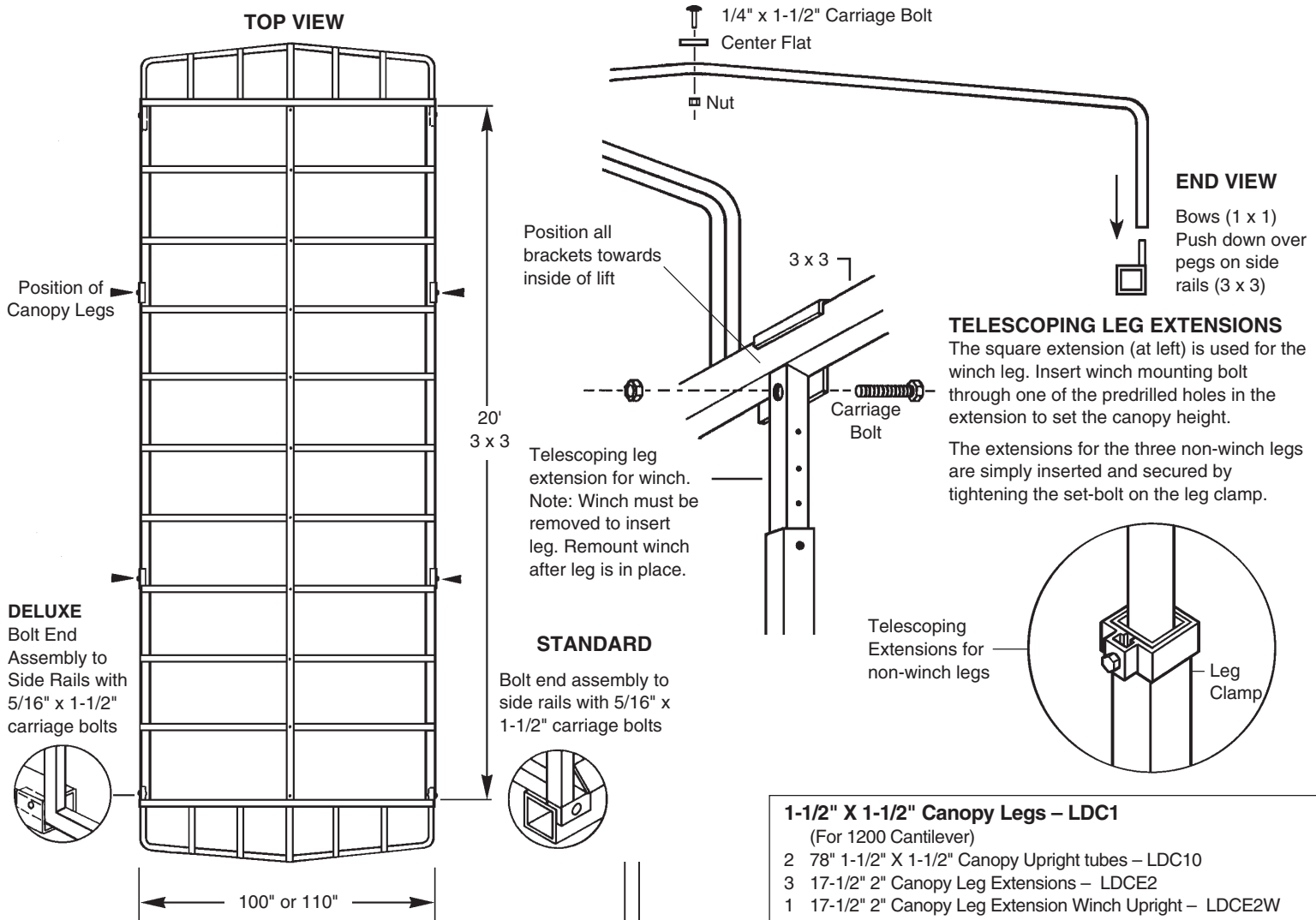




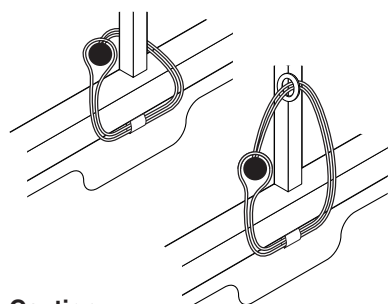
CANTILEVER LIFT CANOPY

Mounting and Parts List



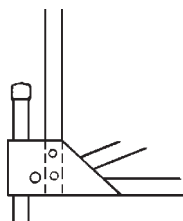
SECURING CANOPY WITH TENSION CORDS

Always hold tension cord until ball is securely placed in loop. Release slowly to prevent tension spring back.



Caution:
Personal injury may occur if tension cords are not secure before releasing slowly.

REAR LEGS
Mount 78" rear legs to rear corners of lift to accept telescoping leg extensions.



CANOPY FRAME INCLUDES

- 2 Side Rails (3 x 3) – with pegs
- 1 Center Flat – with holes
- 9 Bows (1 x 1)
- 2 End Assemblies

CANOPY BAG – LDH

- 4 Canopy J-clamps – LDJC
- 4 3" x 3" Canopy Plugs LDPC
- 4 5/16" x 1-1/2" Carriage Bolts NB516112C
- 4 5/16" Nuts NN516S
- 11 1/4" x 1-1/2" Carriage Bolts NB14112C
- 11 1/4" Nuts NN14S

- 1 Canvas LCX
- 1 Set of Canvas Tension Cords LDR

1-1/2" X 1-1/2" Canopy Legs – LDC1

- (For 1200 Cantilever)
- 2 78" 1-1/2" X 1-1/2" Canopy Upright tubes – LDC10
 - 3 17-1/2" 2" Canopy Leg Extensions – LDCE2
 - 1 17-1/2" 2" Canopy Leg Extension Winch Upright – LDCE2W
 - 4 3/8" X 2-1/2" Carriage Bolts NB38212C
 - 7 3/8" X 2-1/2" Bolts – NB38212G
 - 11 3/8" Nuts – NN38S

2" X 2" Canopy Legs – LDC2

- (For 1500PW, 1800 & 2400 Cantilever)
- 2 78" 2" X 2" Canopy Upright tubes – LDC20
 - 3 30" 1-1/2" Canopy Leg Extensions – LDCE130
 - 1 30" 1-1/2" Canopy Leg Extension Winch Upright – LDCE130W
 - 3 2" Canopy Leg Clamps – LDLC2
 - 4 3/8" X 2-1/2" Carriage Bolts NB38212C
 - 4 3/8" X 3" Bolts – NB383G
 - 8 3/8" Nuts – NN38S

3" X 3" Canopy Legs – LDC3

- (For 3000, 3600, 4200 & 4800 Cantilever)
- 2 78" 3" X 3" Canopy Upright tubes – LDC30
 - 3 36" 2-5/8" Canopy Leg Extensions – LDCE25/83
 - 1 36" 2-5/8" Canopy Leg Extension Winch Upright – LDCE25/83W
 - 3 3" Canopy Leg Clamps – LDLC3
 - 4 3/8" X 3-1/2" Carriage Bolts NB38312C
 - 4 3/8" X 4" Bolts – NB384G
 - 8 3/8" Nuts – NN38S

"Quality Since 1971"

HEWITT MACHINE & MFG, INC. Box 111 Nicollet, MN 56074 (507) 225-3421

www.hewitt-roll-a-dock.com e-mail: info@hewitt-roll-a-dock.com